

POST-CONSTRUCTION SHED AREAS PC EXHIBIT O

SHED	(E) PERVIOUS (SF)	(P) PERVIOUS (SF)	(P) IMPERVIOUS (SF)	TOTAL (SF)	TOTAL (AC)	% IMPERVIOUS
DMA-1	13,116	1,180	9,933	11,113	0.255	89.38
DMA-2	4,158	2,449	1,709	4,158	0.095	41.10
DMA-3	5,156	0	5,224	5,224	0.120	100.00
DMA-4	8,499	773	8,093	8,866	0.204	91.28
DMA-5	4,270	0	5,224	5,224	0.120	100.00
TOTAL	35,199	4,402	30,183	34,585	0.794	87.27

POST-CONSTRUCTION BMP'S				
ID	TRIBUTARY DMA'S	TYPE	REQUIRED WQV / WQF	PROVIDED WQV / WQF
BMP 1	DMA 1 AND 2	VOLUME BASED	511 + 114 = 625 CF	687 CF
BMP 2	DMA 3 AND 5	VOLUME BASED	269 + 269 = 538 CF	610 CF
BMP 3	DMA 4	FLOW BASED	0.036 CFS	0.038 CFS

LEGEND

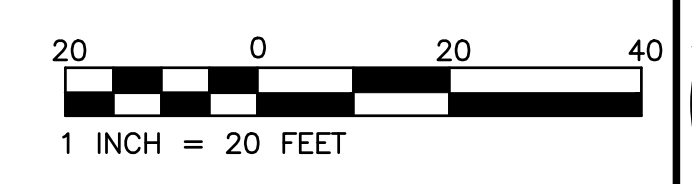
DRAINAGE AREA DESIGNATIONS AND AREA

DRAINAGE AREA BOUNDARY

OVERLAND RELEASE

811

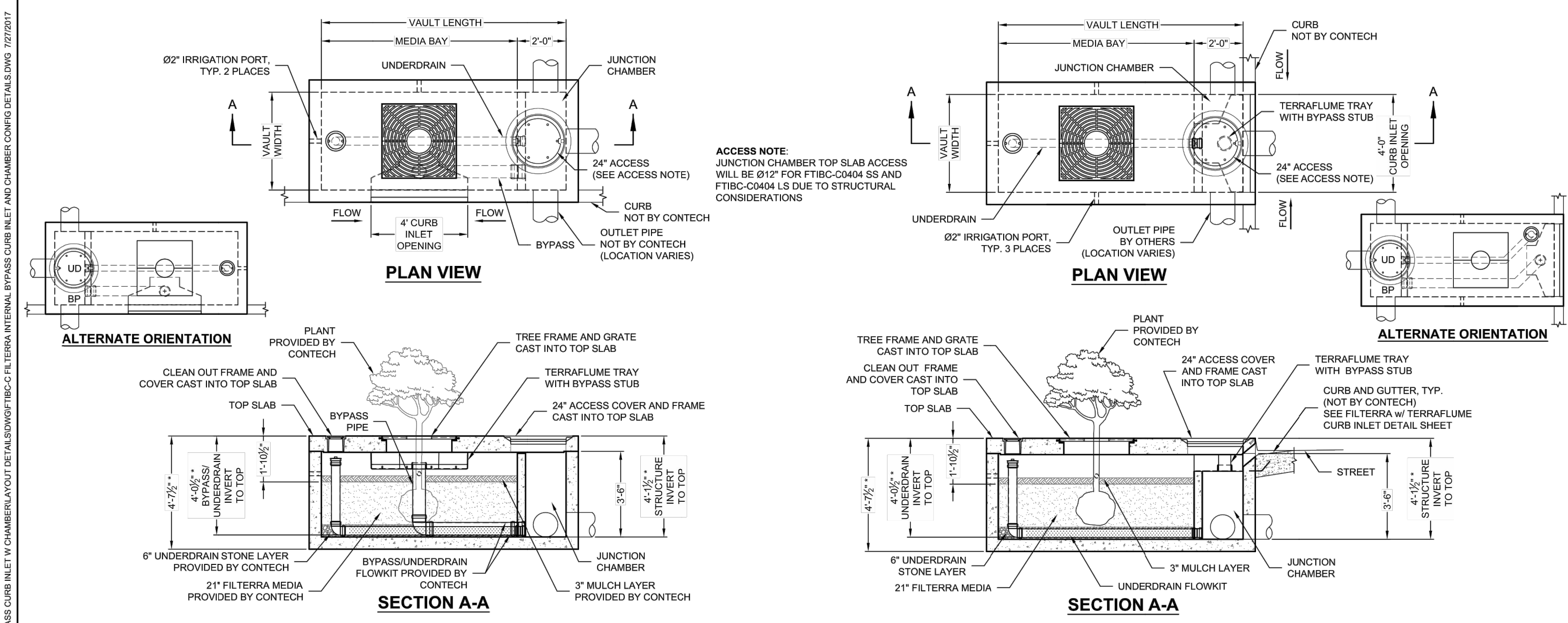
Know what's below.
Call before you dig.
or (800) 227-2600



REVISION	DATE	BY	APP'D
2			
1			
0			

DESIGN TSM
DRAWN TSM
QUANT. TSM

ORIGINAL SCALE IS IN INCHES



FTIBC-C LONG SIDE CURB INLET							
DESIGNATION (LONG SIDE)	SIZE (MEDIA BAY)	VAULT LENGTH	VAULT WIDTH	MAX BYPASS PIPE SIZE	MAX BYPASS FLOW (CFS)	UNDERDRAIN PIPE DIA. (PERF.)	TREE GRATE QTY. & SIZE
FTIBC-C0404 LS	4' x 4'	6'-0"	4'-0"	6" SDR 35	1.42	4" SDR 35	(1) 3' x 3'
FTIBC-C0604 LS	6' x 4'	8'-0"	4'-0"	8" SDR 35	1.89	4" SDR 35	(1) 3' x 3'
FTIBC-C0804 LS	8' x 4'	10'-0"	4'-0"	10" SDR 35	2.37	4" SDR 35	(1) 3' x 3'
FTIBC-C1004 LS	10' x 4'	12'-0"	4'-0"	12" SDR 35	2.84	4" SDR 35	(1) 3' x 3'
FTIBC-C1204 LS	12' x 4'	14'-0"	4'-0"	14" SDR 35	3.31	4" SDR 35	(1) 3' x 3'
FTIBC-C1404 LS	14' x 4'	16'-0"	4'-0"	16" SDR 35	3.78	4" SDR 35	(1) 3' x 3'
FTIBC-C1604 LS	16' x 4'	18'-0"	4'-0"	18" SDR 35	4.25	4" SDR 35	(1) 3' x 3'
FTIBC-C1804 LS	18' x 4'	20'-0"	4'-0"	20" SDR 35	4.72	4" SDR 35	(1) 3' x 3'
FTIBC-C2004 LS	20' x 4'	22'-0"	4'-0"	22" SDR 35	5.19	4" SDR 35	(1) 3' x 3'
FTIBC-C2204 LS	22' x 4'	24'-0"	4'-0"	24" SDR 35	5.66	4" SDR 35	(1) 3' x 3'
FTIBC-C2404 LS	24' x 4'	26'-0"	4'-0"	26" SDR 35	6.13	4" SDR 35	(1) 3' x 3'
FTIBC-C2604 LS	26' x 4'	28'-0"	4'-0"	28" SDR 35	6.60	4" SDR 35	(1) 3' x 3'
FTIBC-C2804 LS	28' x 4'	30'-0"	4'-0"	30" SDR 35	7.07	4" SDR 35	(1) 3' x 3'
FTIBC-C3004 LS	30' x 4'	32'-0"	4'-0"	32" SDR 35	7.54	4" SDR 35	(1) 3' x 3'
FTIBC-C3204 LS	32' x 4'	34'-0"	4'-0"	34" SDR 35	8.01	4" SDR 35	(1) 3' x 3'
FTIBC-C3404 LS	34' x 4'	36'-0"	4'-0"	36" SDR 35	8.48	4" SDR 35	(1) 3' x 3'
FTIBC-C3604 LS	36' x 4'	38'-0"	4'-0"	38" SDR 35	8.95	4" SDR 35	(1) 3' x 3'
FTIBC-C3804 LS	38' x 4'	40'-0"	4'-0"	40" SDR 35	9.42	4" SDR 35	(1) 3' x 3'
FTIBC-C4004 LS	40' x 4'	42'-0"	4'-0"	42" SDR 35	9.89	4" SDR 35	(1) 3' x 3'

FTIBC-C SHORT SIDE CURB INLET							
DESIGNATION (SHORT SIDE)	SIZE (MEDIA BAY)	VAULT LENGTH	VAULT WIDTH	MAX BYPASS PIPE SIZE	MAX BYPASS FLOW (CFS)	UNDERDRAIN PIPE DIA. (PERF.)	TREE GRATE QTY. & SIZE
FTIBC-C0404 SS	4' x 4'	6'-0"	4'-0"	6" SDR 35	1.42	4" SDR 35	(1) 3' x 3'
FTIBC-C0406 SS	4' x 6'	8'-0"	4'-0"	8" SDR 35	1.89	4" SDR 35	(1) 3' x 3'
FTIBC-C0408 SS	4' x 8'	10'-0"	4'-0"	10" SDR 35	2.37	4" SDR 35	(1) 3' x 3'
FTIBC-C0412 SS	4' x 12'	14'-0"	4'-0"	12" SDR 35	3.31	4" SDR 35	(2) 3' x 3'
FTIBC-C0606 SS	6' x 6'	8'-0"	6'-0"	8" SDR 35	2.37	4" SDR 35	(1) 3' x 3'
FTIBC-C0608 SS	6' x 8'	10'-0"	6'-0"	10" SDR 35	2.84	4" SDR 35	(1) 3' x 3'
FTIBC-C0610 SS	6' x 10'	12'-0"	6'-0"	12" SDR 35	3.31	4" SDR 35	(1) 3' x 3'
FTIBC-C0612 SS	6' x 12'	14'-0"	6'-0"	14" SDR 35	3.78	4" SDR 35	(2) 3' x 3'
FTIBC-C0810 SS	8' x 10'	12'-0"	8'-0"	10" SDR 35	2.84	4" SDR 35	(1) 3' x 3'
FTIBC-C0812 SS	8' x 12'	14'-0"	8'-0"	12" SDR 35	3.31	4" SDR 35	(2) 3' x 3'
FTIBC-C1010 SS	10' x 10'	12'-0"	10'-0"	12" SDR 35	3.31	4" SDR 35	(2) 3' x 3'
FTIBC-C1012 SS	10' x 12'	14'-0"	10'-0"	14" SDR 35	3.78	4" SDR 35	(2) 3' x 3'

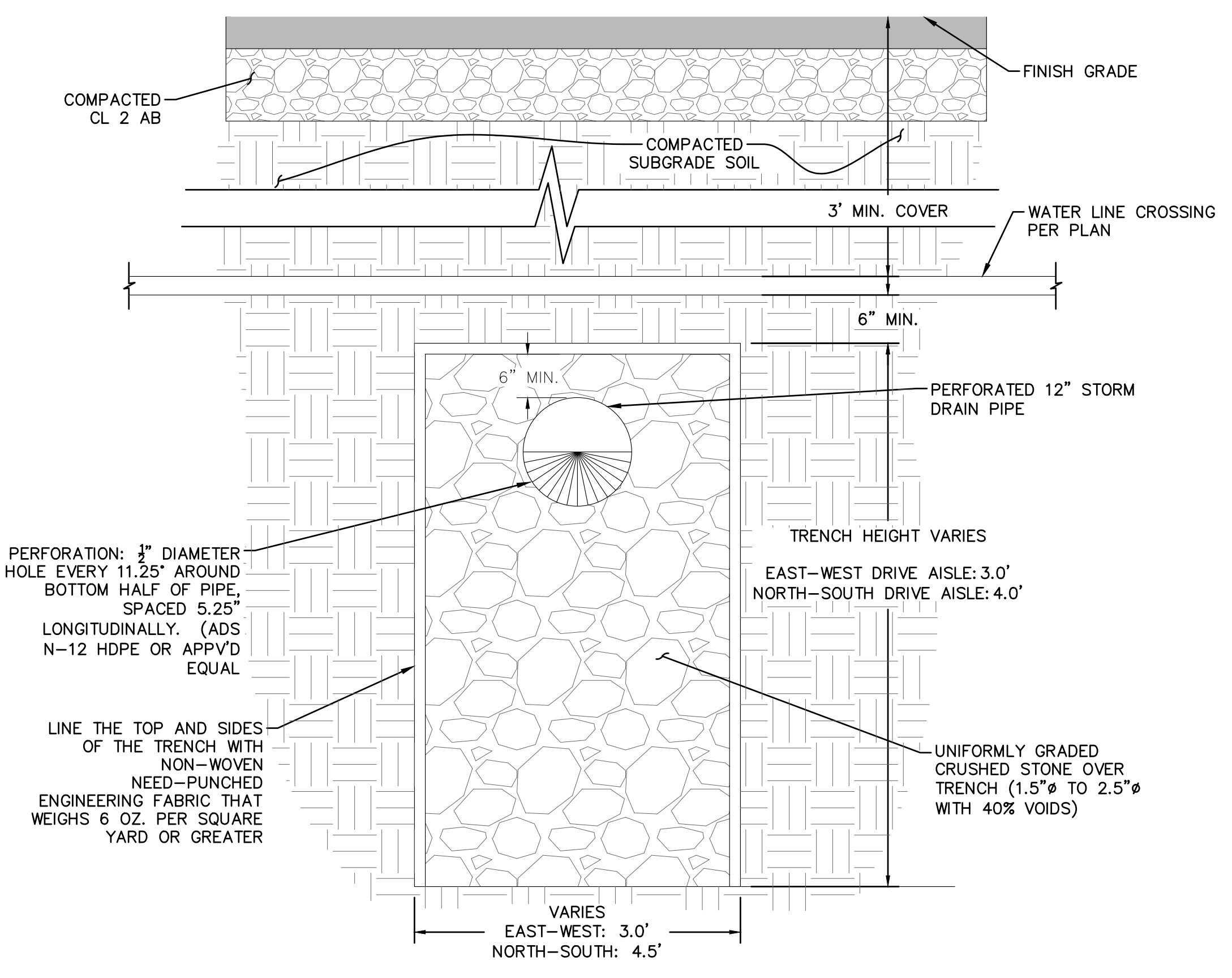
CONTECH ENGINEERED SOLUTIONS LLC

FILTERRA INTERNAL BYPASS CURB WITH CHAMBER (FTIBC-C) CONFIGURATION DETAILS

9025 Centre Pointe Dr., Suite 400, West Chester, OH 45380
800-338-1122 513-645-7000 513-645-7893 FAX

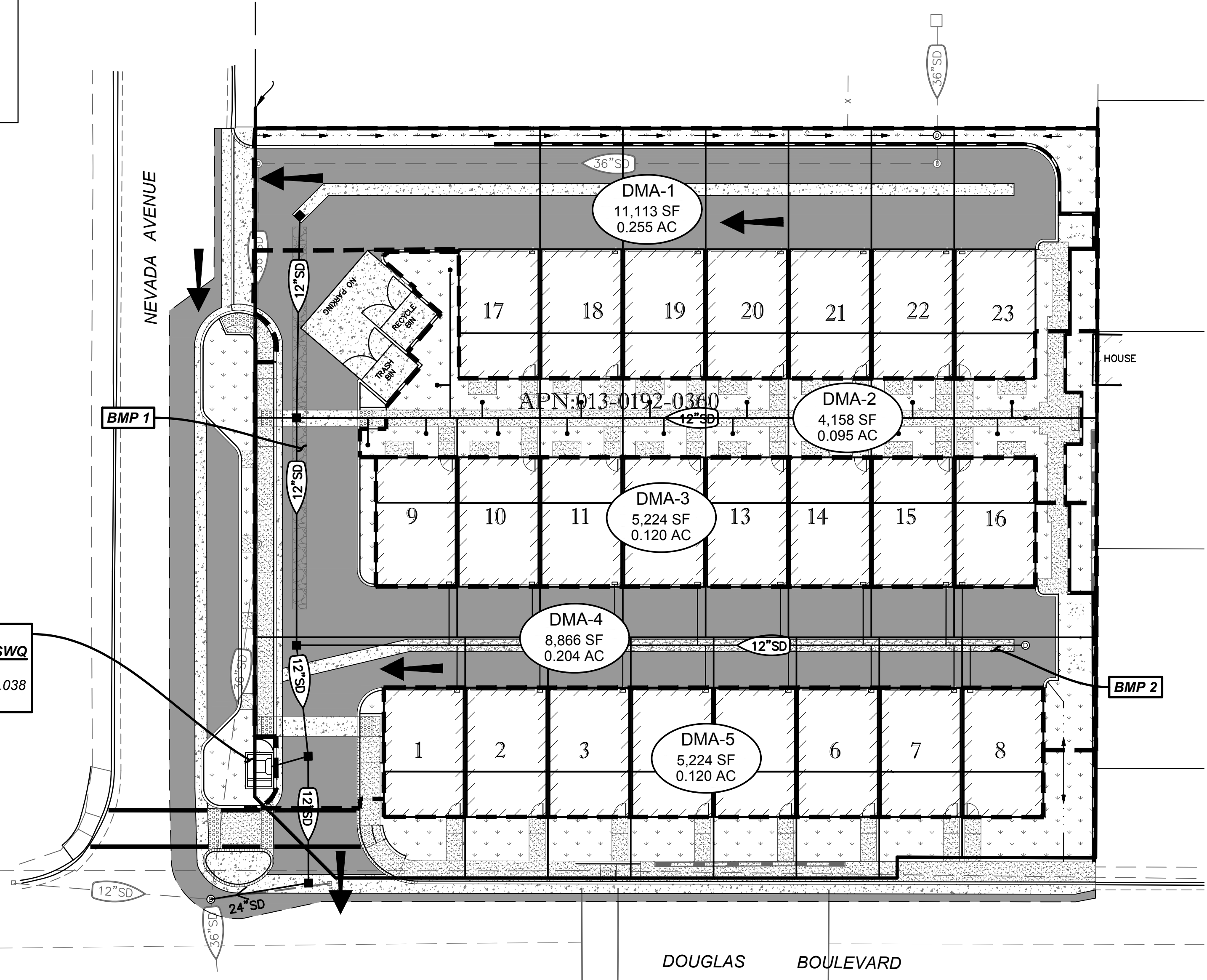
1 CONTECH FILTERRA SWQ PLANTER

NOT TO SCALE



2 INFILTRATION TRENCH SECTION

NOT TO SCALE



BMP 3
CONTECH FILTERRA SWQ PLANTER
TREATMENT RATE = 0.038 CFS

Z:\2018 Projects\18019_1007_Devotee_Tent_Map\WORKING_CAD\REV\MAIN\A\11-7_Perf_Construction.dwg, Apr. 02, 2018, 11:26 am

RFE ENGINEERING, INC.
2240 Douglas Blvd., Suite 166, Roseville, CA 95678
Ph: 916-772-7600 Fax: 916-772-7804
www.RFEEngineering.com

C&P DEVELOPMENT
CONTACT: KARLTON CASTLES / ROBERT PEGOS
916-218-0728 / 916-764-4201

ROSEVILLE OLD TOWN LOFTS
241 NEVADA AVENUE
ROSEVILLE, CA
PRELIMINARY POST CONSTRUCTION PLAN

Drawing	Sheet
of	of Total
	9
TM-07	
04-02-2019	

RFE PROJECT 18019 - ROSEVILLE OLD TOWN LOFTS, 241 NEVADA AVENUE, ROSEVILLE, CA