

NEGATIVE DECLARATION

Project Title/File Number: INFILL PCL 209 - Atkinson Self-Storage; PL20-0010
Project Location: 102 Atkinson St., Roseville, Placer County, CA
APN: 012-010-013-000
Project Applicant: Regina Reusser, Burrell Consulting Group; (916) 783-8898; 1001 Enterprise Way, Suite 100, Roseville, CA 95678
Property Owner: Steve Lefler, For: M2 Melody LLC; (916) 747-8890; 4160 Douglas Blvd. Suite 200, Granite Bay, CA 95746
Lead Agency Contact Person: Sean Morales, Assistant Planner - City of Roseville; (916) 774-5282
Date: April 21, 2021

Project Description:

The applicant requests a Design Review Permit to allow the construction of a self-storage facility with an office. A rezone is also requested to modify the Planned Development Zone to allow Self-Storage with a Conditional Use Permit (CUP). A CUP is also requested. The proposal would allow the construction of three 1-story self-storage buildings plus an office in one building. The total square footage for the self-storage buildings is 25,297 sf. The total square footage for the office is 1,575 sf for an overall total of 26,872. The project will also include 163 spaces for outdoor boat and RV storage and 4 canopies.

DECLARATION

The Planning Manager has determined that the above project will not have significant effects on the environment and therefore does not require preparation of an Environmental Impact Report. The determination is based on the attached initial study and the following findings:

- A. *The project will not have the potential to degrade the quality of the environment, substantially reduce the habitat of fish or wildlife species, cause a fish or wildlife population to drop below self sustaining levels, threaten to eliminate a plant or animal community, substantially reduce the number or restrict the range of an endangered, rare or threatened species, reduce the number or restrict the range of rare or endangered plants or animals or eliminate important examples of the major periods of California history or prehistory.*
- B. *The project will not have the potential to achieve short-term, to the disadvantage of long-term, environmental goals.*
- C. *The project will not have impacts, which are individually limited, but cumulatively considerable.*
- D. *The project will not have environmental effects, which will cause substantial adverse effects on human beings, either directly or indirectly.*
- E. *No substantial evidence exists that the project may have a significant effect on the environment.*
- F. *This Negative Declaration reflects the independent judgment of the lead agency.*



INITIAL STUDY & ENVIRONMENTAL CHECKLIST

Project Title/File Number:	INFILL PCL 209 - Atkinson Self-Storage; PL20-0010
Project Location:	102 Atkinson St., Roseville, Placer County, CA APN: 012-010-013-000
Project Description:	The applicant requests a Design Review Permit to allow the construction of a self-storage facility with an office. A rezone is also requested to modify the Planned Development Zone to allow Self-Storage with a Conditional Use Permit (CUP). A CUP is also requested. The proposal would allow the construction of three 1-story self-storage buildings plus an office in one building. The total square footage for the self-storage buildings is 25,297 sf. The total square footage for the office is 1,575 sf for an overall total of 26,872. The project will also include 163 spaces for outdoor boat and RV storage and 4 canopies.
Project Applicant:	Regina Reusser, Burrell Consulting Group; (916) 783-8898; 1001 Enterprise Way, Suite 100, Roseville, CA 95678
Property Owner:	Steve Lefler, For: M2 Melody LLC; (916) 747-8890; 4160 Douglas Blvd. Suite 200, Granite Bay, CA 95746
Lead Agency Contact:	Sean Morales, Assistant Planner, (916) 774-5282

This initial study has been prepared to identify and assess the anticipated environmental impacts of the above described project application. The document relies on site-specific studies prepared to address in detail the effects or impacts associated with the project. Where documents were submitted by consultants working for the applicant, City staff reviewed such documents in order to determine whether, based on their own professional judgment and expertise, staff found such documents to be credible and persuasive. Staff has only relied on documents that reflect their independent judgment, and has not accepted at face value representations made by consultants for the applicant.

This document has been prepared to satisfy the California Environmental Quality Act (CEQA), (Public Resources Code, Section 21000 et seq.) and the State CEQA Guidelines (14 CCR 15000 et seq.). CEQA requires that all state and local government agencies consider the environmental consequences of projects over which they have discretionary authority before acting on those projects.

The initial study is a public document used by the decision-making lead agency to determine whether a project may have a significant effect on the environment. If the lead agency finds substantial evidence that any aspect of the project, either individually or cumulatively, may have a significant effect on the environment, regardless of whether the overall effect of the project is adverse or beneficial, the lead agency is required to prepare an EIR. If the agency finds no substantial evidence that the project or any of its aspects may cause a significant effect on the environment, a negative declaration shall be prepared. If in the course of analysis, the agency recognizes that the project may have a significant impact on the environment, but that by incorporating specific mitigation

CC Exhibit A

measures to which the applicant agrees, the impact will be reduced to a less than significant effect, a mitigated negative declaration shall be prepared.

Table of Contents

Project Description	4
City of Roseville Mitigation Ordinances, Guidelines, and Standards	6
Other Environmental Documents Relied Upon	6
Explanation of Initial Study Checklist	7
Initial Study Checklist	
I. Aesthetics	7
II. Agricultural & Forestry Resources	9
III. Air Quality	10
IV. Biological Resources	13
V. Cultural Resources	15
VI. Energy	16
VII. Geology and Soils	18
VIII. Greenhouse Gases	23
IX. Hazards and Hazardous Materials	23
X. Hydrology and Water Quality	25
XI. Land Use and Planning	28
XII. Mineral Resources	28
XIII. Noise	29
XIV. Population and Housing	31
XV. Public Services	33
XVI. Recreation	33
XVII. Transportation / Traffic	35
XVIII. Tribal Cultural Resources	35
XIX. Utilities and Service Systems	37
XX. Wildfire	39
XXI. Mandatory Findings of Significance	40
Environmental Determination	41
Attachments	42

CC Exhibit A

PROJECT DESCRIPTION

Project Location

The project site is located at 102 Atkinson Street in the City's Infill Planning Area (Figure 1). The site is zoned PD59 (Planned Development 59) and is currently developed with a parking lot. The site is surrounded by single-family residential subdivisions to the east, north, and west, and a light industrial/commercial development to the south. See Table 1 for the land use designations and uses of the subject and surrounding properties.

Figure 1. Project Location



Table 1: Site and Vicinity Land Use Designations

Location	Zoning	General Plan Land Use	Actual Use of Property
Site	PD59	CC	Parking Lot
North	R1	LDR-5	Single-Family Subdivision
South	M1	CC	Light Industrial/Commercial
East	R1/R2	LDR-5	Single-Family Subdivision
West	PD408A	LDR-6.8	Single-Family Subdivision

Background

The project is located within the City's Infill area. The Infill area, while not subject to a specific plan, is a recognized planning subarea of the City. The area consists of 8,478 gross acres in what historically has been the central core of Roseville, as well as the areas that were the focus of growth in the City until the early 1980s. With the exception of scattered parcels of limited acreage, the Infill area is close to being fully developed. The land use in this area incorporates a mix of residential neighborhoods, commercial and industrial uses and

CC Exhibit A

amenities to serve the residents of the community. The project site is developed with a parking lot that was associated with the Denio's Auction Yard. The property has served as a parking lot and vehicle storage lot.

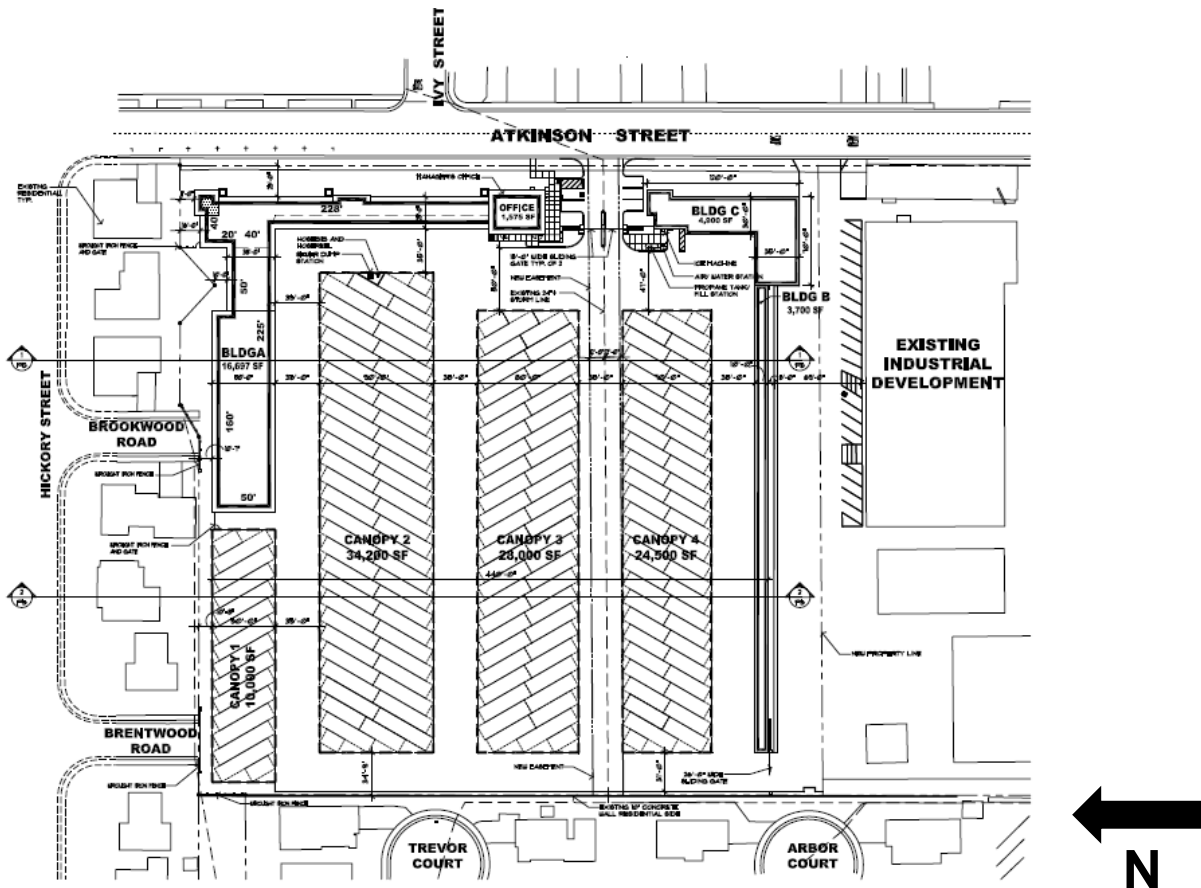
Environmental Setting

The project site is an infill property located in an urbanized setting. The site includes frontage on Atkinson Street, which is a two-lane roadway, and includes a sidewalk. The asphalt parking lot runs up to the front property line along the entire frontage with no landscape setback. The project site is situated at-grade and is relatively flat with a slight rise toward the north of the site. There is a slender outcropping on the northwest corner of the site that is not paved and contains non-native grasses. The rest of the site is covered is asphalt. There are no structures on the property.

Proposed Project

The project consists of a request to allow construction of a self-storage facility with a manager's office (Figure 2). The proposal includes three 1-story self-storage buildings plus an office building. Four canopy structures for outdoor storage of vehicles are also proposed. The total square footage for the self-storage buildings is 25,297 sf. The total square footage for the office is 1,575 sf for an overall total of 26,872 sf. Construction will also include six public parking spaces, and the associated landscaping, lighting, and drive aisles.

Figure 2. Site Plan



CC Exhibit A

CITY OF ROSEVILLE MITIGATION ORDINANCES, GUIDELINES, AND STANDARDS

For projects that are consistent with the development density established by existing zoning, community plan, or general plan policies for which an EIR was certified, CEQA Guidelines section 15183(f) allows a lead agency to rely on previously adopted development policies or standards as mitigation for the environmental effects, when the standards have been adopted by the City, with findings based on substantial evidence, that the policies or standards will substantially mitigate environmental effects, unless substantial new information shows otherwise (CEQA Guidelines §15183(f)). The City of Roseville adopted CEQA Implementing Procedures (Implementing Procedures) which are consistent with this CEQA Guidelines section. The current version of the Implementing Procedures were adopted in April 2008, along with Findings of Fact, as Resolution 08-172. The below regulations and ordinances were found to provide uniform mitigating policies and standards, and are applicable to development projects. The City's Mitigating Policies and Standards are referenced, where applicable, in the Initial Study Checklist.

- City of Roseville 2035 General Plan
- City of Roseville Zoning Ordinance (RMC Title 19)
- City of Roseville Design and Construction Standards (Resolution 16-75)
- Subdivision Ordinance (RMC Title 18)
- Noise Regulation (RMC Ch.9.24)
- Flood Damage Prevention Ordinance (RMC Ch.9.80)
- Drainage Fees (Dry Creek [RMC Ch.4.49] and Pleasant Grove Creek [RMC Ch.4.48])
- West Placer Stormwater Quality Design Manual (Resolution 16-152)
- Urban Stormwater Quality Management and Discharge Control Ordinance (RMC Ch. 14.20)
- Traffic Mitigation Fee (RMC Ch.4.44)
- Highway 65 Joint Powers Authority Improvement Fee (Resolution 2008-02)
- South Placer Regional Transportation Authority Transportation and Air Quality Mitigation Fee (Resolution 09-05)
- Tree Preservation Ordinance (RMC Ch.19.66)
- Community Design Guidelines (Resolution 95-347)
- Specific Plan Design Guidelines:
 - North Roseville Area Design Guidelines (Resolution 92-226)

OTHER ENVIRONMENTAL DOCUMENTS RELIED UPON

- Amoruso Ranch Specific Plan Final Environmental Impact Report

Pursuant to CEQA Guidelines Section 15183, any project which is consistent with the development densities established by zoning, a Community Plan, or a General Plan for which an EIR was certified shall not require additional environmental review, except as may be necessary to examine whether there are project-specific significant effects which are peculiar to the project or its site. The Amoruso Ranch Specific Plan EIR updated the City's General Plan to 2035, and updated Citywide analyses of traffic, water supply, water treatment, wastewater treatment, and waste disposal. The proposed project is consistent with the adopted land use designations examined within the environmental documents listed above, and thus this Initial Study focuses on effects particular to the specific project site, impacts which were not analyzed within the EIR, and impacts which may require revisiting due to substantial new information. When applicable, the topical sections within the Initial Study summarize the findings within the environmental documents listed above. The analysis, supporting

CC Exhibit A

technical materials, and findings of the environmental document are incorporated by reference, and are available for review at the Civic Center, 311 Vernon Street, Roseville, CA.

EXPLANATION OF INITIAL STUDY CHECKLIST

The California Environmental Quality Act (CEQA) Guidelines recommend that lead agencies use an Initial Study Checklist to determine potential impacts of the proposed project on the physical environment. The Initial Study Checklist provides a list of questions concerning a comprehensive array of environmental issue areas potentially affected by this project. This section of the Initial Study incorporates a portion of Appendix G Environmental Checklist Form, contained in the CEQA Guidelines. Within each topical section (e.g. Air Quality) a description of the setting is provided, followed by the checklist responses, thresholds used, and finally a discussion of each checklist answer.

There are four (4) possible answers to the Environmental Impacts Checklist on the following pages. Each possible answer is explained below:

- 1) A “Potentially Significant Impact” is appropriate if there is enough relevant information and reasonable inferences from the information that a fair argument based on substantial evidence can be made to support a conclusion that a substantial, or potentially substantial, adverse change may occur to any of the physical conditions within the area affected by the project. When one or more “Potentially significant Impact” entries are made, an EIR is required.
- 2) A “Less Than Significant With Mitigation” answer is appropriate when the lead agency incorporates mitigation measures to reduce an impact from “Potentially Significant” to “Less than Significant.” For example, floodwater impacts could be reduced from a potentially-significant level to a less-than-significant level by relocating a building to an area outside of the floodway. The lead agency must describe the mitigation measures, and briefly explain how they reduce the effect to a less-than-significant level. Mitigation measures are identified as MM followed by a number.
- 3) A “Less Than significant Impact” answer is appropriate if there is evidence that one or more environmental impacts may occur, but the impacts are determined to be less than significant, or the application of development policies and standards to the project will reduce the impact(s) to a less-than-significant level. For instance, the application of the City’s Improvement Standards reduces potential erosion impacts to a less-than-significant level.
- 4) A “No Impact” answer is appropriate where it can be demonstrated that the impact does not have the potential to adversely affect the environment. For instance, a project in the center of an urbanized area with no agricultural lands on or adjacent to the project area clearly would not have an adverse effect on agricultural resources or operations. A brief explanation is required for all answers except “No Impact” answers that are adequately supported by the information sources cited in the Initial Study. Where a “No Impact” answer is adequately supported by the information sources cited in the Initial Study, further narrative explanation is not required. A “No Impact” answer is explained when it is based on project-specific factors as well as generous standards.

All answers must take account of the whole action involved, including off- and on-site, indirect, direct, construction, and operation impacts, except as provided for under State CEQA Guidelines.

CC Exhibit A

INITIAL STUDY CHECKLIST

I. Aesthetics

The project site is located in an area developed with office and industrial uses adjacent to the Union Pacific Railroad to the west and Industrial Avenue to the east. The only public view of the site and its visual setting is from Industrial Avenue and its adjacent sidewalks. The view includes no distinct topography or other visual elements. During the winter the site is green and covered with grasses and small annual plants, and during the summer the grasses turn brown. The background of the view includes the Union Pacific Railroad tracks with industrial and office uses beyond. The site is in a highly urbanized visual setting.

Would the project:

Environmental Issue	Potentially Significant Impact	Less Than Significant With Mitigation	Less Than Significant Impact	No Impact
a) Have a substantial adverse effect on a scenic vista?			X	
b) Substantially damage scenic resources, including, but not limited to, trees, rock outcroppings, and historic buildings within a state scenic highway?			X	
c) In non-urbanized area, substantially degrade the existing visual character or quality of public views of the site and its surroundings? (Public views are those that are experienced from a publicly accessible vantage point.) If the project is in an urbanized area, would the project conflict with applicable zoning and other regulations governing scenic quality?			X	
d) Create a new source of substantial light or glare, which would adversely affect day or nighttime views in the area?			X	

Thresholds of Significance and Regulatory Setting:

The significance of an environmental impact cannot always be determined through the use of a specific, quantifiable threshold. CEQA Guidelines Section 15064(b) affirms this by the statement “an ironclad definition of significant effect is not always possible because the significance of an activity may vary with the setting.” This

CC Exhibit A

is particularly true of aesthetic impacts. As an example, a proposed parking lot in a dense urban center would have markedly different visual effects than a parking lot in an open space area. For the purpose of this study, the significance thresholds are as stated in CEQA Guidelines Appendix G, as shown in a–d of the checklist below. The Findings of the Implementing Procedures indicate that compliance with the Zoning Ordinance (e.g. building height, setbacks, etc), Subdivision Ordinance (RMC Ch. 18), Community Design Guidelines (Resolution 95-347), and applicable Specific Plan Policies and/or Specific Plan Design Guidelines will prevent significant impacts in urban settings as it relates to items a, b, and c, below.

Discussion of Checklist Answers:

a–b) There are no designated or eligible scenic vistas or scenic highways within or adjacent to the City of Roseville.

c) The project site is in an urban setting, and as a result lacks any prominent or high-quality natural features which could be negatively impacted by development. The City of Roseville has adopted Community Design Guidelines (CDG) for the purpose of creating building and community designs which are a visual asset to the community. The CDG includes guidelines for building design, site design and landscape design, which will result in a project that enhances the existing urban visual environment. When buildings and associated site improvements are proposed for the site they will be reviewed for consistency with these guidelines. Accordingly, the aesthetic impacts of the project are less than significant.

d) The project involves nighttime lighting to provide for the security and safety of project users. However, the project is already located within an urbanized setting with many existing lighting sources. Lighting is conditioned to comply with City standards (i.e. CDG) to limit the height of light standards and to require cut-off lenses and glare shields to minimize light and glare impacts. The project will not create a new source of substantial light. None of the project elements are highly reflective, and thus the project will not contribute to an increased source of glare.

II. Agricultural & Forestry Resources

The State Department of Conservation oversees the Farmland Mapping and Monitoring Program, which was established to document the location, quality, and quantity of agricultural lands, and the conversion of those lands over time. The primary land use classifications on the maps generated through this program are: Urban and Built Up Land, Grazing Land, Farmland of Local Importance, Unique Farmland, Farmland of Statewide Importance, and Prime Farmland. According to the current California Department of Conservation Placer County Important Farmland Map (2012), the majority of the City of Roseville is designated as Urban and Built Up Land and most of the open space areas of the City are designated as Grazing Land. There are a few areas designated as Farmland of Local Importance and two small areas designated as Unique Farmland located on the western side of the City along Baseline Road. The current Williamson Act Contract map (2013/2014) produced by the Department of Conservation shows that there are no Williamson Act contracts within the City, and only one (on PFE Road) that is adjacent to the City. None of the land within the City is considered forest land by the Board of Forestry and Fire Protection.

CC Exhibit A

Would the project:

Environmental Issue	Potentially Significant Impact	Less Than Significant With Mitigation	Less Than Significant Impact	No Impact
a) Convert Prime Farmland, Unique Farmland, or Farmland of Statewide Importance (Farmland), as shown on the maps prepared pursuant to the Farmland Mapping and Monitoring Program of the California Resources Agency, to non-agricultural use?				X
b) Conflict with existing zoning for agricultural use, or a Williamson Act contract?				X
c) Conflict with existing zoning for, or cause rezoning of, forest land (as defined in Public Resources Code section 12220(g)), timberland (as defined by Public Resources Code section 4526), or timberland zoned Timberland Production (as defined by Government Code section 51104(g))?				X
d) Result in the loss of forest land or conversion of forest land to non-forest use?				X
e) Involve other changes in the existing environment which, due to their location or nature, could result in conversion of Farmland, to non-agricultural use or conversion of forest land to non-forest use?				X

Thresholds of Significance and Regulatory Setting:

Unique Farmland, Farmland of Statewide Importance, and Prime Farmland are called out as protected farmland categories within CEQA Guidelines Appendix G. Neither the City nor the State has adopted quantified significance thresholds related to impacts to protected farmland categories or to agricultural and forestry resources. For the purpose of this study, the significance thresholds are as stated in CEQA Guidelines Appendix G, as shown in a–e of the checklist above.

CC Exhibit A

Discussion of Checklist Answers:

a–e) The project site is not used for agricultural purposes, does not include agricultural zoning, is not within or adjacent to one of the areas of the City designated as a protected farmland category on the Placer County Important Farmland map, is not within or adjacent to land within a Williamson Act Contract, and is not considered forest land. Given the foregoing, the proposed project will have no impact on agricultural resources.

III. Air Quality

The City of Roseville, along with the south Placer County area, is located in the Sacramento Valley Air Basin (SVAB). The SVAB is within the Sacramento Federal Ozone Non-Attainment Area. Under the Clean Air Act, Placer County has been designated a "serious non-attainment" area for the federal 8-hour ozone standard, "non-attainment" for the state ozone standard, and a "non-attainment" area for the federal and state PM₁₀ standard (particulate matter less than 10 microns in diameter). Within Placer County, the Placer County Air Pollution Control District (PCAPCD) is responsible for ensuring that emission standards are not violated. Would the project:

Environmental Issue	Potentially Significant Impact	Less Than Significant With Mitigation	Less Than Significant Impact	No Impact
a) Conflict with or obstruct implementation of the applicable air quality plan?			X	
b) Result in a cumulatively considerable net increase of any criteria for which the project region is non-attainment under an applicable federal or state ambient air quality standard?			X	
c) Expose sensitive receptors to substantial pollutant concentrations?			X	
d) Result in other emissions (such as those leading to odors) adversely affecting a substantial number of people?			X	

Thresholds of Significance and Regulatory Setting:

In responding to checklist items a–c, project-related air emissions would have a significant effect if they would result in concentrations that either violate an ambient air quality standard or contribute to an existing air quality violation. To assist in making this determination, the PCAPCD adopted thresholds of significance, which were developed by considering both the health-based ambient air quality standards and the attainment strategies outlined in the State Implementation Plan. The PCAPCD-recommended significance threshold for reactive organic gases (ROG) and nitrogen oxides (NO_x) is 82 pounds daily during construction and 55 pounds daily during operation, and for particulate matter (PM) is 82 pounds per day during both construction and operation. For all other constituents, significance is determined based on the concentration-based limits in the Federal and State Ambient Air Quality Standards. Toxic Air Contaminants (TAC) are also of public health concern, but no thresholds or standards are provided because they are considered to have no safe level of exposure. Analysis

CC Exhibit A

of TAC is based on the *Air Quality and Land Use Handbook – A Community Health Perspective* (April 2005, California Air Resources Board), which lists TAC sources and recommended buffer distances from sensitive uses. For checklist item c, the PCAPCD's *CEQA Air Quality Handbook (Handbook)* recommends that the same thresholds used for the project analysis be used for the cumulative impact analysis.

With regard to checklist item d, there are no quantified significance thresholds for exposure to objectionable odors or other emissions. Significance is determined after taking into account multiple factors, including screening distances from odor sources (as found in the PCAPCD CEQA Handbook), the direction and frequency of prevailing winds, the time of day when emissions are detectable/present, and the nature and intensity of the emission source.

Discussion of Checklist Answers:

a–c) Analyses are not included for sulfur dioxide, lead, and other constituents because there are no mass emission thresholds; these are concentration-based limits in the Federal and State Ambient Air Quality Standards which require substantial, point-source emissions (e.g. refineries, concrete plants, etc) before exceedance will occur, and the SVAB is in attainment for these constituents. Likewise, carbon monoxide is not analyzed because the SVAB is in attainment for this constituent, and it requires high localized concentrations (called carbon monoxide “hot spots”) before the ambient air quality standard would be exceeded. “Hot spots” are typically associated with heavy traffic congestion occurring at high-volume roadway intersections. The Amoroso Ranch EIR analysis of Citywide traffic indicated that 198 out of 226 signalized intersections would operate at level of service C or better—that is, they will not experience heavy traffic congestion. It further indicated that analyses of existing CO concentrations at the most congested intersections in Roseville show that CO levels are well below federal and state ambient air quality standards. The discussions below focus on emissions of ROG, NO_x, or PM. A project-level analysis has been prepared to determine whether the project will, on a singular level, exceed the established thresholds.

PCAPCD recommends that lead agencies use the California Emissions Estimator Model (CalEEMod) to quantify a project's construction and operational emissions for criterial air pollutants (NO_x, ROG, and PM). The results are then compared to the significance thresholds established by the district, as detailed above. However, according to PCAPCD's published screening table, a general commercial project must involve more than 200,000 square feet of building area, and a general industrial project must involve nearly 900,000 square feet of building area, before the project will result in NO_x emissions that exceed 55 lbs/day and exceed the PCAPCD significance thresholds for criteria pollutants. The project involves construction of 26,872 square feet of non-residential buildings on a 3.27-acre site and therefore modeling is not required. Typically, NO_x emissions are substantially higher than ROG and PM₁₀; therefore, it can be assumed that projects that do not exceed the NO_x threshold will not exceed the ROG and PM₁₀ thresholds, and will not result in a significant impact related to operational emissions. The project proposes the construction of a self-storage facility, the operations of which are well below PCAPCD's modeled example. Thus, the project is not expected to result in construction or operational emissions that would exceed the district's thresholds for significance.

The proposed project would not exceed the applicable thresholds of significance for air pollutant emissions during construction or operation. As such, the project would not conflict with or obstruct implementation of the *Sacramento Regional 8-Hour Ozone Attainment and Reasonable Further Progress Plan* (which is the SIP) or contribute substantially to the PCAPCD's nonattainment status for ozone. In addition, because the proposed project would not produce substantial emissions of criteria air pollutants, CO, or TACs, adjacent residents would not be exposed to significant levels of pollutant concentrations during construction or operation. Therefore, implementation of the proposed project would result in less than significant impacts, and consistent with the analysis methodology outlined in the Significance Thresholds and Regulatory Setting section, cumulative impacts are less than significant.

CC Exhibit A

With regard to TAC, there are hundreds of constituents which are considered toxic, but they are typically generated by stationary sources like gas stations, facilities using solvents, and heavy industrial operations. The proposed project is not a TAC-generating use, nor is it within the specified buffer area of a TAC-generating use, as established in the *Air Quality and Land Use Handbook – A Community Health Perspective*. Impacts due to substantial pollutant concentrations are less than significant.

d) Diesel fumes from construction equipment and delivery trucks are often found to be objectionable; however, construction is temporary and diesel emissions are minimal and regulated. Typical urban projects such as residences and retail businesses generally do not result in substantial objectionable odors when operated in compliance with City Ordinances (e.g. proper trash disposal and storage). The Project is a typical urban development that lacks any characteristics that would cause the generation of substantial unpleasant odors. Thus, construction and operation of the proposed project would not result in the creation of objectionable odors affecting a substantial number of people. A review of the project surroundings indicates that there are no substantial odor-generating uses near the project site; the project location meets the recommended screening distances from odor-generators provided by the PCAPCD. Impacts related to odors are less than significant.

IV. Biological Resources

The site is largely covered with an asphalt parking lot and contains little vegetation. Live vegetation on the site is located along the northern property line in a 10-30 foot landscape area containing various tree, shrub and brush species.

Would the project:

Environmental Issue	Potentially Significant Impact	Less Than Significant With Mitigation	Less Than Significant Impact	No Impact
a) Have a substantial adverse effect, either directly or through habitat modifications, on any species identified as a candidate, sensitive, or special status species in local or regional plans, policies or regulations, or by the California Department of Fish and Game or U.S. Fish and Wildlife Service?			X	
b) Have a substantial adverse effect on any riparian habitat or other sensitive natural community identified in local or regional plans, policies or regulations or by the California Department of Fish and Wildlife or U.S. Fish and Wildlife Service?			X	

CC Exhibit A

Environmental Issue	Potentially Significant Impact	Less Than Significant With Mitigation	Less Than Significant Impact	No Impact
c) Have a substantial adverse effect on state or federally protected wetlands (including, but not limited to, marsh, vernal pool, coastal, etc.) through direct removal, filling, hydrological interruption, or other means?			X	
d) Interfere substantially with the movement of any native resident or migratory fish or wildlife species or with established native resident or migratory wildlife corridors, or impede the use of native wildlife nursery sites?				X
e) Conflict with any local policies or ordinances protecting biological resources, such as a tree preservation policy or ordinance?				X
f) Conflict with the provisions of an adopted Habitat Conservation Plan, Natural Community Conservation Plan, or other approved local, regional, or state habitat conservation plan?				X

Thresholds of Significance and Regulatory Setting:

There is no ironclad definition of significance as it relates to biological resources. Thus, the significance of impacts to biological resources is defined by the use of expert judgment supported by facts, and relies on the policies, codes, and regulations adopted by the City and by regulatory agencies which relate to biological resources (as cited and described in the Discussion of Checklist Answers section). Thresholds for assessing the significance of environmental impacts are based on the CEQA Guidelines checklist items a–f, above. Consistent with CEQA Guidelines Section 15065, a project may have a significant effect on the environment if:

The project has the potential to substantially degrade the quality of the environment; substantially reduce the habitat of a fish or wildlife species; cause a fish or wildlife population to drop below self-sustaining levels; threaten to eliminate a plant or animal community; [or] substantially reduce the number or restrict the range of an endangered, rare or threatened species . . .

Various agencies regulate impacts to the habitats and animals addressed by the CEQA Guidelines checklist. These include the United States Fish and Wildlife Service, National Oceanic and Atmospheric Administration—

CC Exhibit A

Fisheries, United States Army Corps of Engineers, Central Valley Regional Water Quality Control Board, and California Department of Fish and Wildlife. The primary regulations affecting biological resources are described in the sections below.

Checklist item a addresses impacts to special status species. A “special status” species is one which has been identified as having relative scarcity and/or declining populations. Special status species include those formally listed as threatened or endangered, those proposed for formal listing, candidates for federal listing, and those classified as species of special concern. Also included are those species considered to be “fully protected” by the California Department of Fish and Wildlife (California Fish and Wildlife), those granted “special animal” status for tracking and monitoring purposes, and those plant species considered to be rare, threatened, or endangered in California by the California Native Plant Society (CNPS). The primary regulatory protections for special status species are within the Federal Endangered Species Act, California Endangered Species Act, California Fish and Game Code, and the Federal Migratory Bird Treaty Act.

Checklist item b addresses all “sensitive natural communities” that may be affected by local, state, or federal regulations/policies while checklist item c focuses specifically on one type of such a community: federally-protected wetlands. Focusing first on wetlands, there are two questions to be posed in examining wet habitats: the first is whether the wetted area meets the technical definition of a wetland, making it subject to checklist item b, and the second is whether the wetland is subject to federal jurisdiction, making it subject to checklist item c. The 1987 Army Corps Wetlands Delineation Manual is used to determine whether an area meets the technical criteria for a wetland. A delineation verification by the Army Corps verifies the size and condition of the wetlands and other waters in question, and determines the extent of government jurisdiction as it relates to Section 404 of the Federal Clean Water Act and Section 401 of the State Clean Water Act.

The Clean Water Act protects all “navigable waters”, which are defined as traditional navigable waters that are or were used for commerce, or may be used for interstate commerce; tributaries of covered waters; and wetlands adjacent to covered waters, including tributaries. Non-navigable waters are called isolated wetlands, and are not subject to either the Federal or State Clean Water Act. Thus, isolated wetlands are not subject to federal wetland protection regulations. However, in addition to the Clean Water Act, the State also has jurisdiction over impacts to surface waters through the Porter-Cologne Water Quality Control Act (Porter-Cologne), which does not require that waters be “navigable”. For this reason, isolated wetlands are regulated by the State of California pursuant to Porter-Cologne. The City of Roseville General Plan also provides protection for wetlands, including isolated wetlands, pursuant to the General Plan Open Space and Conservation Element. Federal, State and City regulations/policies all seek to achieve no net loss of wetland acreage, values, or function.

Aside from wetlands, checklist item b also addresses other “sensitive natural communities,” which includes any habitats protected by local or regional plans, policies, or regulations, or by the California Department of Fish and Wildlife or U.S. Fish and Wildlife Service. The City of Roseville General Plan Open Space and Conservation Element includes policies for the protection of riparian areas (streamside habitat) and floodplain areas; these are Vegetation and Wildlife section Policies 2 and 3. Policy 4 also directs preservation of additional area around stream corridors and floodplain if there is sensitive woodland, grassland, or other habitat which could be made part of a contiguous open space area. Other than wetlands, which were already discussed, US Fish and Wildlife and California Department of Fish and Wildlife habitat protections generally result from species protections, and are thus addressed via checklist item a.

For checklist item d, there are no regulations specific to the protection of migratory corridors. This item is addressed by an analysis of the habitats present in the vicinity and analyzing the probable effects on access to those habitats which will result from a project.

The City of Roseville Tree Preservation ordinance (RMC Ch.19.66) requires protection of native oak trees, and compensation for oak tree removal. The Findings of the Implementing Procedures indicate that compliance with

CC Exhibit A

the City of Roseville Tree Preservation ordinance (RMC Ch.19.66) will prevent significant impacts related to loss of native oak trees, referenced by item e, above.

Regarding checklist item f, there are no adopted Habitat Conservation Plans within the City of Roseville.

Discussion of Checklist Answers:

a) The project will require the removal of several trees and various trees on-site. These few small trees do not provide suitable habitat for nesting birds or any special status species and construction activities do not have the potential to disrupt offsite nesting.

b-c) As discussed in the Environmental Setting, the project site is located in an urbanized area. The site is adjacent to paved roadways and is adjacent to residential and commercial uses. The property does not contain sensitive natural communities which are protected by federal, state or local policies, nor does it contain any wetlands; thus, the project will have no impact with regard to this criterion.

d) The City includes an interconnected network of open space corridors and preserves located throughout the City, to ensure that the movement of wildlife is not substantially impeded as the City develops. The development of the project site will not negatively impact these existing and planned open space corridors, nor is the project site located in an area that has been designated by the City, United States Fish and Wildlife, or California Department of Fish and Wildlife as vital or important for the movement of wildlife or the use of native wildlife nursery sites.

e,f) Evaluation of the site shows there are no trees on-site that are subject to the City of Roseville Tree Preservation Ordinance. There are no Habitat Conservation Plans; Natural Community Conservation Plans; or other approved local, regional, or state habitat conservation plans that apply to the project site.

V. Cultural Resources

As described within the Open Space and Conservation Element of the City of Roseville General Plan, the Roseville region was within the territory of the Nisenan (also Southern Maidu or Valley Maidu). Two large permanent Nisenan habitation sites have been identified and protected within the City's open space (in Maidu Park). Numerous smaller cultural resources, such as midden deposits and bedrock mortars, have also been recorded in the City. The gold rush which began in 1848 marked another settlement period, and evidence of Roseville's ranching and mining past are still found today. Historic features include rock walls, ditches, low terraces, and other remnants of settlement and activity. A majority of documented sites within the City are located in areas designated for open space uses.

Would the project:

Environmental Issue	Potentially Significant Impact	Less Than Significant With Mitigation	Less Than Significant Impact	No Impact
a) Cause a substantial adverse change in the significance of an historic resource pursuant to in Section 15064.5?			X	

CC Exhibit A

Environmental Issue	Potentially Significant Impact	Less Than Significant With Mitigation	Less Than Significant Impact	No Impact
b) Cause a substantial adverse change in the significance of an archaeological resource pursuant to Section 15064.5?			X	
c) Disturb any human remains, including those interred outside of dedicated cemeteries?			X	

Thresholds of Significance and Regulatory Setting:

The significance of impacts to cultural resources is based directly on the CEQA Guidelines checklist items a–c listed above. The Archaeological, Historic, and Cultural Resources section of the City of Roseville General Plan also directs the proper evaluation of and, when feasible, protection of significant resources (Policies 1 and 2). There are also various federal and State regulations regarding the treatment and protection of cultural resources, including the National Historic Preservation Act and the Antiquities Act (which regulate items of significance in history), Section 7050.5 of the California Health and Safety Code, Section 5097.9 of the California Public Resources Code (which regulates the treatment of human remains) and Section 21073 et seq. of the California Public Resources Code (regarding Tribal Cultural Resources). The CEQA Guidelines also contains specific sections, other than the checklist items, related to the treatment of effects on historic resources.

Pursuant to the CEQA Guidelines, if it can be demonstrated that a project will cause damage to a unique archaeological resource, the lead agency may require reasonable efforts to be made to permit any or all of these resources to be preserved in place or left in an undisturbed state. To the extent that they cannot be left undisturbed, mitigation measures are required (Section 21083.2 (a), (b), and (c)). A *historical resource* is a resource listed, or determined to be eligible for listing, in the California Register of Historical Resources (CRHR) (Section 21084.1); a resource included in a local register of historical resources (Section 15064.5(a)(2)); or any object, building, structure, site, area, place, record, or manuscript which a lead agency determines to be historically significant (Section 15064.5 (a)(3)). Public Resources Code Section 5024.1 requires evaluation of historical resources to determine their eligibility for listing on the CRHR.

Discussion of Checklist Answers:

a–c) No cultural resources are known to exist on the project site per the General Plan EIR; however, standard mitigation measures apply which are designed to reduce impacts to cultural resources, should any be found on-site. These measures are included as standard measures on all City improvement plans. The measure requires an immediate cessation of work, and contact with the appropriate agencies to address the resource before work can resume. No additional mitigation is required.

VI. Energy

Roseville Electric provides electrical power in the City and Pacific Gas and Electric (PG&E) provides natural gas. The City purchases wholesale electrical power from both the Western Area Power Administration (WAPA), which is generated by the federal government’s Central Valley Project, which produces 100 percent hydroelectric energy sources from a system of dams, reservoirs, and power plants within central and northern California. In addition, up to 50 percent of the City’s power is generated at the City-owned Roseville Energy Park (REP). The

CC Exhibit A

REP is a 160 megawatt natural-gas-fired power plant that uses a combined cycle gas turbine technology. The City also owns the 48 megawatt combustion-turbine Roseville Power Plant 2 (REP 2), which is used for peaking energy. The City's electric power mix varies from year-to-year, but according to the most recent Citywide energy analysis (the Amoruso Ranch Environmental Impact Report), the mix in 2013/2014 was 25% eligible renewable (geothermal, small hydroelectric, and wind), 14% hydroelectric, 48% natural gas, and 13% from other sources (power purchased by contract).

Would the project:

Environmental Issue	Potentially Significant Impact	Less Than Significant With Mitigation	Less Than Significant Impact	No Impact
a) Result in potentially significant environmental impact due to wasteful, inefficient, or unnecessary consumption of energy resources, during project construction or operation?			X	
b) Conflict with or obstruct a state or local plan for renewable energy or energy inefficiency?			X	

Thresholds of Significance and Regulatory Setting:

Established in 2002, California's Renewable Portfolio Standard (RPS) currently requires that 33 percent of electricity retail sales be served by renewable energy resources by 2020, and 50 percent by 2030. The City published a Renewables Portfolio Standard Procurement Plan in June 2018, and continues to comply with the RPS reporting, requirements, and standards. There are no numeric significance thresholds to define "wasteful, inefficient, or unnecessary" energy consumption, and therefore significance is based on CEQA Guidelines checklist items a and b, above, and by the use of expert judgment supported by facts, relying on the policies, codes, and regulations adopted by the City and by regulatory agencies which relate to energy. The analysis considers compliance with regulations and standards, project design as it relates to energy use (including transportation energy), whether the project will result in a substantial unplanned demand on the City's energy resources, and whether the project will impede the ability of the City to meet the RPS standards.

Discussion of Checklist Answers:

a & b) The project proposes development of a 26,872 square-foot self-storage facility. The project would consume energy both during project construction and during project operation.

During construction, fossil fuels, electricity, and natural gas would be used by construction vehicles and equipment. However, the energy consumed during construction would be temporary, and would not represent a significant demand on available resources. There are no unusual project characteristics that would necessitate the use of construction equipment or methods that would be less energy-efficient or which would be wasteful.

The completed project would consume energy related to building operation, exterior lighting, landscape irrigation and maintenance, and vehicle trips to and from the use. In accordance with California Energy Code Title 24, the project would be required to meet the Building Energy Efficiency Standards. This includes standards for water and space heating and cooling equipment; insulation for doors, pipes, walls, and ceilings; and appliances, to name a few. The project would also be eligible for rebates and other financial incentives from both the electric and gas providers for the purchase of energy-efficient appliances and systems, which would further reduce the

CC Exhibit A

operational energy demand of the project. The project was distributed to both PG&E and Roseville Electric for comments, and was found to conform to the standards of both providers; energy supplies are available to serve the project.

The project is consistent with the existing land use designation of Community Commercial, and has therefore been assumed for development with commercial uses in citywide environmental analyses, such as in the Amoruso Ranch Specific Plan, which updated the City's General Plan. The project is therefore consistent with the current citywide assessment of energy demand, and will not result in substantial unplanned demands. In addition, based on the foregoing analysis, the project will not result in inefficient, wasteful, or unnecessary consumption of energy; impacts are less than significant.

VII. Geology and Soils

As described in the Safety Element of the City of Roseville General Plan, there are three inactive faults (Volcano Hill, Linda Creek, and an unnamed fault) in the vicinity, but there are no known active seismic faults within Placer County. The last seismic event recorded in the South Placer area occurred in 1908, and is estimated to have been at least a 4.0 on the Richter Scale. Due to the geographic location and soil characteristics within the City, the General Plan indicates that soil liquefaction, landslides, and subsidence are not a significant risk in the area.

Would the project:

Environmental Issue	Potentially Significant Impact	Less Than Significant With Mitigation	Less Than Significant Impact	No Impact
a) Directly or indirectly cause potential substantial adverse effects, including the risk of loss, injury, or death involving:			X	
i) Ruptures of a known earthquake fault, as delineated on the most recent Alquist-Priolo Earthquake Fault Zoning Map issued by the State Geologist for the area or based on other substantial evidence of a known fault? (Refer to Division of Mines and Geology Special Publication 42.)			X	
ii) Strong seismic ground shaking?			X	
iii) Seismic-related ground failure, including liquefaction?			X	
iv) Landslides?			X	
b) Result in substantial soil erosion or the loss of topsoil?			X	

CC Exhibit A

Environmental Issue	Potentially Significant Impact	Less Than Significant With Mitigation	Less Than Significant Impact	No Impact
c) Be located in a geological unit or soil that is unstable, or that would become unstable as a result of the project, and potentially result in on or off-site landslide, lateral spreading, subsidence, liquefaction or collapse?			X	
d) Be located on expansive soil, as defined in Table 18-1-B of the Uniform Building Code (1994), creating substantial direct or indirect risks to life or property?			X	
e) Have soils incapable of adequately supporting the use of septic tanks or alternative wastewater disposal systems where sewers are not available for the disposal of wastewater?			X	
f) Directly or indirectly destroy a unique paleontological resource or site or unique geological feature?			X	

Thresholds of Significance and Regulatory Setting:

The significance of impacts related to geology and soils is based directly on the CEQA Guidelines checklist items a–f listed above. Regulations applicable to this topic include the Alquist-Priolo Act, which addresses earthquake safety in building permits, and the Seismic Hazards Mapping Act, which requires the state to gather and publish data on the location and risk of seismic faults. The Archaeological, Historic, and Cultural Resources section of the City of Roseville General Plan also directs the proper evaluation of and, when feasible, protection of significant archeological resources, which for this evaluation will include paleontological resources (Policies 1 and 2). Section 50987.5 of the California Public Code Section is only applicable to public land; this section prohibits the excavation, removal, destruction, or defacement/injury to any vertebrate paleontological site, including fossilized footprints or other paleontological feature.

The Findings of the Implementing Procedures indicate that compliance with the Flood Damage Prevention Ordinance (RMC Ch.9.80) and Design/Construction Standards (Resolution 07-107) will prevent significant impacts related to checklist item b. The Ordinance and standards include permit requirements for construction and development in erosion-prone areas and ensure that grading activities will not result in significant soil erosion or loss of topsoil. The use of septic tanks or alternative waste systems is not permitted in the City of Roseville, and therefore no analysis of criterion e is necessary.

CC Exhibit A

Discussion of Checklist Answers:

a) The project will not expose people or structures to potential substantial adverse effects involving seismic shaking, ground failure or landslides.

i-iii) According to United States Geological Service mapping and literature, active faults are largely considered to be those which have had movement within the last 10,000 years (within the Holocene or Historic time periods)¹ and there are no major active faults in Placer County. The California Geological Survey has prepared a map of the state which shows the earthquake shaking potential of areas throughout California based primarily on an area's distance from known active faults. The map shows that the City lies in a relatively low-intensity ground-shaking zone. Commercial, institutional, and residential buildings as well as all related infrastructure are required, in conformance with Chapter 16, *Structural Design Requirements*, Division IV, *Earthquake Design* of the California Building Code, to lessen the exposure to potentially damaging vibrations through seismic-resistant design. In compliance with the Code, all structures in the Project area would be well-built to withstand ground shaking from possible earthquakes in the region; impacts are less than significant.

iv) Landslides typically occur where soils on steep slopes become saturated or where natural or manmade conditions have taken away supporting structures and vegetation. The existing and proposed slopes of the project site are not steep enough to present a hazard during development or upon completion of the project. In addition, measures would be incorporated during construction to shore minor slopes and prevent potential earth movement. Therefore, impacts associated with landslides are less than significant.

b) Grading activities will result in the disruption, displacement, compaction and over-covering of soils associated with site preparation (grading and trenching for utilities). Grading activities for the project will be limited to the project site. Grading activities require a grading permit from the Engineering Division. The grading permit is reviewed for compliance with the City's Improvement Standards, including the provision of proper drainage, appropriate dust control, and erosion control measures. Grading and erosion control measures will be incorporated into the required grading plans and improvement plans. Therefore, the impacts associated with disruption, displacement, and compaction of soils associated with the project are less than significant.

c, d) A review of the Natural Resources Conservation Service Soil Survey for Placer County, accessed via the Web Soil Survey (<http://websoilsurvey.nrcs.usda.gov/app/>), indicates that the soils on the site are cometa-ramona complex, which are not listed as geologically unstable or sensitive.

f) No paleontological resources are known to exist on the project site per the General Plan EIR; however, standard mitigation measures apply which are designed to reduce impacts to such resources, should any be found on-site. The measure requires an immediate cessation of work, and contact with the appropriate agencies to address the resource before work can resume. The project will not result in any new impacts beyond those already discussed and disclosed in the General Plan EIR; project-specific impacts are less than significant.

VIII. Greenhouse Gases

Greenhouse gases trap heat in the earth's atmosphere. The principal greenhouse gases (GHGs) that enter the atmosphere because of human activities are carbon dioxide (CO₂), methane (CH₄), nitrous oxide (N₂O), and fluorinated gases. As explained by the United States Environmental Protection Agency², global average temperature has increased by more than 1.5 degrees Fahrenheit since the late 1800s, and most of the warming of the past half century has been caused by human emissions. The City has taken proactive steps to reduce

¹ United States Geological Survey, <http://earthquake.usgs.gov/learn/glossary/?term=active%20fault>, Accessed January 2016

² <http://www3.epa.gov/climatechange/science/overview.html>, Accessed January 2016

CC Exhibit A

greenhouse gas emissions, which include the introduction of General Plan policies to reduce emissions, changes to City operations, and climate action initiatives.

Would the project:

Environmental Issue	Potentially Significant Impact	Less Than Significant With Mitigation	Less Than Significant Impact	No Impact
a) Generate greenhouse gas emissions, either directly or indirectly, that may have a significant impact on the environment?			X	
b) Conflict with an applicable plan, policy, or regulation adopted for the purpose of reducing the emissions of greenhouse gases?			X	

Thresholds of Significance and Regulatory Setting:

In Assembly Bill 32 (the California Global Warming Solutions Act), signed by Governor Schwarzenegger of California in September 2006, the legislature found that climate change resulting from global warming was a threat to California, and directed that “the State Air Resources Board design emissions reduction measures to meet the statewide emissions limits for greenhouse gases . . .”. The target established in AB 32 was to reduce emissions to 1990 levels by the year 2020. CARB subsequently prepared the *Climate Change Scoping Plan* (Scoping Plan) for California, which was approved in 2008. The Scoping Plan provides the outline for actions to reduce California’s GHG emissions. CARB’s updated August 2011 Scoping Plan calculated a reduction needed of 21.7% from future “Business As Usual” (BAU) conditions in the year 2020. The current Scoping Plan (adopted May 2014) indicates that statewide emissions of GHG in 1990 amounted to 431 million metric tons, and that the 2020 “Business As Usual” (BAU) scenario is estimated as 509³ million metric tons, which would require a reduction of 15.3% from 2020 BAU. In addition to this, Senate Bill 32 was signed by the Governor on September 8, 2016, to establish a reduction target of 40 percent below 1990 levels by 2030. The Air Resources Board is currently updating the Scoping Plan to reflect this target.

The Placer County Air Pollution Control District (PCAPCD) recommends that thresholds of significance for GHG be related to AB 32 reduction goals, and has adopted thresholds of significance which take into account the 2030 reduction target. The thresholds include a de minimis and a bright-line maximum threshold. Any project emitting less than 1,100 metric tons of carbon dioxide equivalents per year (MT CO₂e/yr) during construction or operation results in less than significant impacts. The PCAPCD considers any project with emissions greater than the bright-line cap of 10,000 MT CO₂e/yr to have significant impacts. For projects exceeding the de minimum threshold but below the bright-line threshold, comparison to the appropriate efficiency threshold is recommended. The significance thresholds are shown in Table 3 below.

³ Includes Paveley and Renewables Portfolio Standard reduction

Table 3: GHG Significance Thresholds

Bright-line Threshold 10,000 MT CO₂e/yr			
Residential Efficiency (MT CO₂e/capita¹)		Non-Residential Efficiency (MT CO₂e/ksf²)	
Urban	Rural	Urban	Rural
4.5	5.5	26.5	27.3
De Minimis Threshold 1,100 MT CO₂e/yr			
1. Per Capita = per person			
2. Per ksf = per 1,000 square feet of building			

Discussion of Checklist Answers:

a–b) Greenhouse gases are primarily emitted as a result of vehicle operation associated with trips to and from a project, and energy consumption from operation of the buildings. Greenhouse gases from vehicles is assessed based on the vehicle miles traveled (VMT) resulting from a project, on a Citywide basis. Residential projects, destination centers (such as a regional mall), and major employers tend to increase VMT in a study area, either by adding new residents traveling in an area, or by encouraging longer trip lengths and drawing in trips from a broader regional area. However, non-residential projects and neighborhood-serving uses (e.g. neighborhood parks) tend to lower VMT in a study area because they do not generate new trips within the study area, they divert existing trips. These trips are diverted because the new use location is closer to home, on their way to another destination (e.g. work), or is otherwise more convenient.

The proposed project includes a new 1-story self-storage facility across three buildings including an office area. As discussed in the Transportation section of this Initial Study, the project is consistent with the City’s General Plan and will not create additional trips that have not already been evaluated in the General Plan EIR.

The City’s GPU EIR included an analysis of GHG emissions, which would result from buildout of the City’s General Plan. The EIR concluded that General Plan build out would exceed the City’s threshold of 2.25 MT CO₂e per service population and that the affect was cumulatively considerable. Although mitigation measures were adopted as part of the General Plan those measures would not reduce impacts to less-than-significant levels and impacts were considered significant and unavoidable. The proposed project is consistent with the land use assumptions in the GPU EIR and does not require further analysis per the tiering provisions of CEQA. The project includes reasonable and feasible design measures to reduce emissions, including implementation of the latest Cal-Green and energy efficiency code requirements. The buildings will incorporate several alternative transportation measures like bike storage or racks. The project complies with General Plan policy related to GHG and the project does not result in any new GHG impacts not previously analyzed in the GPU EIR; therefore, impacts are less than significant.

CC Exhibit A

IX. Hazards and Hazardous Materials

There are no listed hazardous sites within the project vicinity and the proposed use does not involve the use of hazardous materials. Asbestos and lead, which can be present in older buildings, are not onsite as the site is currently developed with an asphalt parking lot.

Would the project:

Environmental Issue	Potentially Significant Impact	Less Than Significant With Mitigation	Less Than Significant Impact	No Impact
a) Create a significant hazard to the public or the environment through the routine transport, use, or disposal of hazardous materials?			X	
b) Create a significant hazard to the public or the environment through reasonably foreseeable upset and accident conditions involving the release of hazardous materials into the environment?			X	
c) Emit hazardous emissions or handle hazardous or acutely hazardous materials, substances, or waste within one-quarter mile of an existing or proposed school?			X	
d) Be located on a site which is included on a list of hazardous materials sites compiled pursuant to Government Code Section 65962.5 and, as a result, would it create a significant hazard to the public or the environment?				X
e) For a project located within an airport land use plan or, where such a plan has not been adopted, within two miles of a public airport or public use airport, would the project result in a safety hazard or excessive noise for people residing or working in the project area?				X

CC Exhibit A

Environmental Issue	Potentially Significant Impact	Less Than Significant With Mitigation	Less Than Significant Impact	No Impact
f) Impair implementation of or physically interfere with an adopted emergency response plan or emergency evacuation plan?				X
g) Expose people or structures either directly or indirectly to a significant risk of loss, injury or death involving wildland fires?				X

Thresholds of Significance and Regulatory Setting:

The significance of impacts related to hazardous materials is based directly on the CEQA Guidelines checklist items a–g listed above. A material is defined as hazardous if it appears on a list of hazardous materials prepared by a federal, state or local regulatory agency, or if it has characteristics defined as hazardous by such an agency. The determination of significance based on the above criteria depends on the probable frequency and severity of consequences to people who might be exposed to the health hazard, and the degree to which Project design or existing regulations would reduce the frequency of or severity of exposure. As an example, products commonly used for household cleaning are classified as hazardous when transported in large quantities, but one would not conclude that the presence of small quantities of household cleaners at a home would pose a risk to a school located within ¼-mile.

Many federal and State agencies regulate hazards and hazardous substances, including the United States Environmental Protection Agency (US EPA), California Department of Toxic Substances Control (DTSC), Central Valley Regional Water Quality Control Board (Regional Water Board), and the California Occupational Safety and Health Administration (CalOSHA). The state has been granted primacy (primary responsibility for oversight) by the US EPA to administer and enforce hazardous waste management programs. State regulations also have detailed planning and management requirements to ensure that hazardous materials are handled, stored, and disposed of properly to reduce human health risks. California regulations pertaining to hazardous waste management are published in the California Code of Regulations (see 8 CCR, 22 CCR, and 23 CCR).

The project is not within an airport land use plan or within two miles of a public or private use airport. Therefore, no further discussion is provided for item e.

Discussion of Checklist Answers:

a, b) Standard construction activities would require the use of hazardous materials such as fuels, oils, lubricants, glues, paints and paint thinners, soaps, bleach, and solvents. These are common household and commercial materials routinely used by both businesses and average members of the public. The materials only pose a hazard if they are improperly used, stored, or transported either through upset conditions (e.g. a vehicle accident) or mishandling. In addition to construction use, the operational project would result in the use of common hazardous materials as well, including bleach, solvents, and herbicides. Regulations pertaining to the transport of materials are codified in 49 Code of Federal Regulations 171–180, and transport regulations are enforced and monitored by the California Department of Transportation and by the California Highway Patrol. Specifications for storage on a construction site are contained in various regulations and codes, including the California Code of Regulations, the Uniform Fire Code, and the California Health and Safety Code. These same codes require that all hazardous materials be used and stored in the manner specified on the material packaging.

CC Exhibit A

Existing regulations and programs are sufficient to ensure that potential impacts as a result of the use or storage of hazardous materials are reduced to less than significant levels.

c) See response to Items (a) and (b) above. While development of the site will result in the use, handling, and transport of materials deemed to be hazardous, the materials in question are commonly used in both residential and commercial applications, and include materials such as bleach and herbicides. The project will not result in the use of any acutely hazardous materials, substances, or waste.

d) The project is not located on a site that is included on a list of hazardous materials sites compiled pursuant to Government Code Section 65962.5⁴; therefore, no impact will occur.

f) This project is located within an area currently receiving City emergency services and development of the site has been anticipated and incorporated into emergency response plans. As such, the project will cause a less than significant impact to the City's Emergency Response or Management Plans. Furthermore, the project will be required to comply with all local, State and federal requirements for the handling of hazardous materials, which will ensure less-than-significant impacts. These will require the following programs:

- A Risk Management and Prevention Program (RMPP) is required of uses that handle toxic and/or hazardous materials in quantities regulated by the California Health and Safety Code and/or the City.
- Businesses that handle toxic or hazardous materials are required to complete a Hazardous Materials Management Program (HMMP) pursuant to local, State, or federal requirements.

g) The California Department of Forestry and Fire Protection (CAL FIRE) is the state agency responsible for wildland fire protection and management. As part of that task, CAL FIRE maintains maps designating Wildland Fire Hazard Severity zones. The City is not located within a Very High Fire Hazard Severity Zone, and is not in a CAL FIRE responsibility area; fire suppression is entirely within local responsibility. The project site is in an urban area, and therefore would not expose people to any risk from wildland fire. There would be no impact with regard to this criterion.

X. Hydrology and Water Quality

As described in the Open Space and Conservation Element of the City of Roseville General Plan, the City is located within the Pleasant Grove Creek Basin and the Dry Creek Basin. Pleasant Grove Creek and its tributaries drain most of the western and central areas of the City and Dry Creek and its tributaries drain the remainder of the City. Most major stream areas in the City are located within designated open space.

Would the project:

Environmental Issue	Potentially Significant Impact	Less Than Significant With Mitigation	Less Than Significant Impact	No Impact
a) Violate any water quality standards or waste discharge requirements or otherwise substantially degrade surface or ground water quality?			X	

⁴ <http://www.calepa.ca.gov/SiteCleanup/CorteseList/SectionA.htm>

CC Exhibit A

Environmental Issue	Potentially Significant Impact	Less Than Significant With Mitigation	Less Than Significant Impact	No Impact
b) Substantially decrease groundwater supplies or interfere substantially with groundwater recharge such that the project may impede sustainable groundwater management of the basin?			X	
c) Substantially alter the existing drainage pattern of the site or area, including through the alteration of the course of a stream or river or through the addition of impervious surfaces, in a manner which would:			X	
i) result in substantial erosion or siltation on or off-site;			X	
ii) substantially increase the rate or amount of surface runoff in a manner which would result in flooding on- or off-site;			X	
iii) create or contribute runoff water which would exceed the capacity of existing or planned stormwater systems or provide substantial additional sources of polluted runoff; or			X	
iv) impede or redirect flood flows?				X
d) Conflict with or obstruct implementation of a water quality control plan or sustainable groundwater management plan?			X	
e) In flood hazard, tsunami, or seiches zones, risk release of pollutants due to project inundation?				X

CC Exhibit A

Thresholds of Significance and Regulatory Setting:

The significance of impacts related to hydrology and water quality is based directly on the CEQA Guidelines checklist items a–e listed above. For checklist item a, c (i), d, and e, the Findings of the Implementing Procedures indicate that compliance with the City of Roseville Design/Construction Standards (Resolution 07-107), Urban Stormwater Quality Management and Discharge Control Ordinance (RMC Ch. 14.20), and Stormwater Quality Design Manual (Resolution 16-152) will prevent significant impacts related to water quality or erosion. The standards require preparation of an erosion and sediment control plan for construction activities and includes designs to control pollutants within post-construction urban water runoff. Likewise, it is indicated that the Drainage Fees for the Dry Creek and Pleasant Grove Watersheds (RMC Ch.4.48) and City of Roseville Design/Construction Standards (Resolution 07-107) will prevent significant impacts related to checklist items c (ii) and c (iii). The ordinance and standards require the collection of drainage fees to fund improvements that mitigate potential flooding impacts, and require the design of a water drainage system that will adequately convey anticipated stormwater flows without increasing the rate or amount of surface runoff. These same ordinances and standards prevent impacts related to groundwater (items a and d), because developers are required to treat and detain all stormwater onsite using stormwater swales and other methods which slow flows and preserve infiltration. Finally, it is indicated that compliance with the Flood Damage Prevention Ordinance (RMC Ch. 9.80) will prevent significant impacts related to items c (iv) and e. The Ordinance includes standard requirements for all new construction, including regulation of development with the potential to impede or redirect flood flows, and prohibits development within flood hazard areas. Impacts from tsunamis and seiches were screened out of the analysis (item e) because the project is not located near a water body or other feature that would pose a risk of such an event.

Discussion of Checklist Answers:

a, c (i), d, e) The project will involve the disturbance of on-site soils and the construction of impervious surfaces, such as asphalt paving. Disturbing the soil can allow sediment to be mobilized by rain or wind, and cause displacement into waterways. To address this and other issues, the developer is required to receive approval of a grading permit and/or improvement plants prior to the start of construction. The permit or plans are required to incorporate mitigation measures for dust and erosion control. In addition, the City has a National Pollutant Discharge Elimination System (NPDES) Municipal Stormwater Permit issued by the Central Valley Regional Water Quality Control Board which requires the City to reduce pollutants in stormwater to the maximum extent practicable. The City does this, in part, by means of the City's 2016 Design/Construction Standards, which require preparation and implementation of a Stormwater Pollution Prevention Plan. All permanent stormwater quality control measures must be designed to comply with the City's Manual for Stormwater Quality Control Standards for New Development, the City's 2016 Design/Construction Standards, Urban Stormwater Quality Management and Discharge Control Ordinance, and Stormwater Quality Design Manual. For these reasons, impacts related to water quality are less than significant.

b, d) The project does not involve the installation of groundwater wells. The City maintains wells to supplement surface water supplies during multiple dry years, but the effect of groundwater extraction on the aquifer was addressed in the Water Supply Assessment of the Amoruso Ranch Specific Plan EIR, which included a Citywide water analysis. The proposed project is consistent with the General Plan land use designation, and is thus consistent with the citywide Water Supply Assessment. Project impacts related to groundwater extraction are less than significant. Furthermore, all permanent stormwater quality control measures must be designed to comply with the Stormwater Quality Design Manual, which requires the use of bioswales and other onsite detention and infiltration methods. These standards ensure that stormwater will continue to infiltrate into the groundwater aquifer.

c (ii and iii)) The project has been reviewed by City Engineering staff for conformance with City ordinances and standards. The project includes adequate and appropriate facilities to ensure no net increase in the amount or rate of stormwater runoff from the site, and which will adequately convey stormwater flows.

CC Exhibit A

c (iv) and e) The project has been reviewed by City Engineering staff for conformance with City ordinances and standards. The project is not located within either the Federal Emergency Management Agency floodplain or the City's Regulatory Floodplain (defined as the floodplain which will result from full buildout of the City). Therefore, the project will not impede or redirect flood flows, nor will it be inundated. The proposed project is located within an area of flat topography and is not near a waterbody or other feature which could cause a seiche or tsunami. There would be no impact with regard to these criterion.

XI. Land Use and Planning

The project site has a General Plan Designation of Community Commercial and is zoned PD59 (Planned Development 59). The site is surrounded by a City of Roseville residences to the north, west, and east, and a businesses to the south.

Would the project:

Environmental Issue	Potentially Significant Impact	Less Than Significant With Mitigation	Less Than Significant Impact	No Impact
a) Physically divide an established community?				X
b) Cause a significant environmental impact due to a conflict with any land use plan, policy, or regulation of an agency adopted for the purpose of avoiding or mitigating an environmental effect?				X

Thresholds of Significance and Regulatory Setting:

The significance of impacts related to land use is based directly on the CEQA Guidelines checklist items a and b listed above. Consistency with applicable City General Plan policies, Improvement Standards, and design standards is already required and part of the City's processing of permits and plans, so these requirements do not appear as mitigation measures.

Discussion of Checklist Answers:

a) The project area has been master planned for development, including adequate roads, pedestrian paths, and bicycle paths to provide connections within the community. The project will not physically divide an established community.

b) As part of project review, staff considered consistency with all City policies and regulations, including those which are intended to avoid an environmental effect, and found the project to be consistent.

XII. Mineral Resources

The Surface Mining and Reclamation Act (SMARA) of 1975 requires the State Geologist to classify land into Mineral Resource Zones (MRZ's) based on the known or inferred mineral resource potential of that land. The California Division of Mines and Geology (CDMG) was historically responsible for the classification and designation of areas containing—or potentially containing—significant mineral resources, though that responsibility now lies with the California Geological Survey (CGS). CDMG published Open File Report 95-10, which provides the mineral classification map for Placer County. A detailed evaluation of mineral resources has

CC Exhibit A

not been conducted within the City limits, but MRZ's have been identified. There are four broad MRZ categories (MRZ-1 through MRZ-4), and only MRZ-2 represents an area of known significant mineral resources. The City of Roseville General Plan EIR included Exhibit 4.1-3, depicting the location of MRZ's in the City limits. There is only one small MRZ-2 designation area, located at the far eastern edge of the City.

Would the project:

Environmental Issue	Potentially Significant Impact	Less Than Significant With Mitigation	Less Than Significant Impact	No Impact
a) Result in the loss of availability of a known mineral resource that would be of value to the region and the residents of the state?				X
b) Result in the loss of availability of a locally-important mineral resource recovery site delineated on a local general plan, specific plan or other land use plan?				X

Thresholds of Significance and Regulatory Setting:

The significance of impacts related to mineral resources is based directly on the CEQA Guidelines checklist items a and b listed above.

Discussion of Checklist Answers:

a–b) The project site is not in the area of the City known to include any mineral resources that would be of local, regional, or statewide importance; therefore, the project has no impacts on mineral resources.

XIII. Noise

The project includes a proposed self-storage facility. Potential sources of noise at a self-storage facility include people talking, people moving items into/out of storage, and vehicles driving. These are typical noises which occur in any non-residential development, and typically do not generate substantial noise volumes. The nearest sensitive receptors are the residents within the residential area to the north and west of this site. In the existing condition, the City of Roseville General Plan Noise Element Figure IX-1 indicates the residential neighborhood is not within the existing 60 to 65 dB noise contours resulting from the railyards. Approximately half of the project is located within the existing 60 to 65 dB noise contours resulting from the railyards. Both the project site and adjacent residences are within the future expected 60 to 65 dB noise contours resulting from expected activity at the railyards.

CC Exhibit A

Would the project result in:

Environmental Issue	Potentially Significant Impact	Less Than Significant With Mitigation	Less Than Significant Impact	No Impact
a) Generation of a substantial temporary or permanent increase in ambient noise levels in the vicinity of the project in excess of standards established in the local general plan or noise ordinance, or applicable standards of other agencies?			X	
b) Generation of excessive ground borne vibration of ground borne noise levels?				X
c) For a project located within the vicinity of a private airstrip or an airport land use plan or, where such a plan has not been adopted, within two miles of a public airport or public use airport, would the project expose people residing or working in the project area to excessive noise levels?				X

Thresholds of Significance and Regulatory Setting:

Standards for transportation noise and non-transportation noise affecting existing or proposed land uses are established within the City of Roseville General Plan Noise Element Table IX-1 and IX-3, and these standards are used as the thresholds to determine the significance of impacts related to items a and c. The significance of other noise impacts is based directly on the CEQA Guidelines checklist items b and c listed above. The Findings of the Implementing Procedures indicate that compliance with the City Noise Regulation (RMC Ch. 9.24) will prevent significant non-transportation noise as it relates to items a and b. The Ordinance establishes noise exposure standards that protect noise-sensitive receptors from a variety of noise sources, including non-transportation/fixed noise, amplified sound, industrial noise, and events on public property. The project is not within an airport land use plan, within two miles of a public or public use airport and there are also no private airstrips in the vicinity of the project area. Therefore, item c has been ruled out from further analysis.

Discussion of Checklist Answers:

a) The proposed project includes construction of a self-storage facility. Self-storage facilities produce very low noise levels including people talking, people moving items into/out of storage, and vehicles driving. Overall, the proposed use is not considered to be a substantial noise-generating source. The project will not generate a substantial temporary or permanent increase in ambient noise levels in the vicinity of the project in excess of City standards; thus, impacts are less than significant.

CC Exhibit A

b) Surrounding uses may experience short-term increases in groundborne vibration, groundborne noise, and airborne noise levels during construction. However, these increases would only occur for a short period of time. When conducted during daytime hours, construction activities are exempt from Noise Ordinance standards, but the standards do apply to construction occurring during nighttime hours. While the noise generated may be a minor nuisance, the City Noise Regulation standards are designed to ensure that impacts are not unduly intrusive. Based on this, the impact is less than significant.

XIV. Population and Housing

The project site is located within the Infill Area and has a land use designation of CC (Community Commercial). The City of Roseville General Plan Table II-4 identifies the total number of residential units and population anticipated as a result of buildout of the City, and the Specific Plan likewise includes unit allocations and population projections for the Plan Area.

Would the project:

Environmental Issue	Potentially Significant Impact	Less Than Significant With Mitigation	Less Than Significant Impact	No Impact
a) Induce substantial unplanned population growth in an area, either directly (for example, by proposing new homes and businesses) or indirectly (for example, through extension of roads or other infrastructure)?			X	
b) Displace substantial numbers of existing people or housing, necessitating the construction of replacement housing elsewhere?				X

Thresholds of Significance and Regulatory Setting:

The significance of impacts related to population and housing is based directly on the CEQA Guidelines checklist items a and b listed above.

Discussion of Checklist Answers:

a) The CEQA Guidelines identify several ways in which a project could have growth-inducing impacts (Public Resources Code Section 15126.2), either directly or indirectly. Growth-inducement may be the result of fostering economic growth, fostering population growth, providing new housing, or removing barriers to growth. Growth inducement may be detrimental, beneficial, or of no impact or significance under CEQA. An impact is only deemed to occur when it directly or indirectly affects the ability of agencies to provide needed public services, or if it can be shown that the growth will significantly affect the environment in some other way. The project is consistent with the land use designation of the site. Therefore, while the project in question will induce some level of growth, this growth was already identified and its effects disclosed and mitigated within the General Plan EIR. Therefore, the impact of the project is less than significant.

CC Exhibit A

b) The project site is currently developed with a parking lot. No housing exists on the project site, and there would be no impact with respect to these criteria.

XV. Public Services

Fire protection, police protection, park services, and library services are provided by the City. The project is located within the Roseville Elementary School District and Roseville Joint Union High School District. Would the project result in substantial adverse physical impacts associated with the provision of new or physically altered governmental facilities, need for new or physically altered government facilities, the construction of which could cause significant environmental impacts, in order to maintain acceptable service ratios, response times or other performance objectives for any of the following public services:

Environmental Issue	Potentially Significant Impact	Less Than Significant With Mitigation	Less Than Significant Impact	No Impact
a) Fire protection?			X	
b) Police protection?			X	
c) Schools?				X
d) Parks?				X
e) Other public facilities?				X

Thresholds of Significance and Regulatory Setting:

The significance of impacts related to public services is based directly on the CEQA Guidelines checklist items a–e listed above. The EIR for the City’s General Plan addressed the level of public services which would be needed to serve the planned growth within the City. In addition, the project has been routed to the various public service agencies, both internal and external, to ensure that the project meets the agencies’ design standards (where applicable) and to provide an opportunity to recommend appropriate conditions of approval. Commercial and industrial projects, such as this, do not generate student, parkland, or library service demands; therefore, no discussion is provided for checklist questions c, d, or e.

Discussion of Checklist Answers:

a) Existing City codes and regulations require adequate water pressure in the water lines, and construction must comply with the Uniform Fire and Building Codes used by the City of Roseville. Additionally, the applicant is required to pay a fire service construction tax, which is used for purchasing capital facilities for the Fire Department. Existing codes, regulations, funding agreements, and facilities plans are sufficient to ensure less than significant impacts.

b) Pursuant to the Development Agreement for the project area, the developer is required to pay fees into a Community Facilities District, which provides funding for police services. Sales taxes and property taxes resulting from the development will add revenue to the General Fund, which also serves to fund police services. Existing codes, regulations, funding agreements, and facilities plans are sufficient to ensure less than significant impacts.

CC Exhibit A

XVI. Recreation

There are no existing or planned parks or other recreation facilities adjacent to the site.

Would the project:

Environmental Issue	Potentially Significant Impact	Less Than Significant With Mitigation	Less Than Significant Impact	No Impact
a) Would the project increase the use of existing neighborhood and regional parks or other recreational facilities such that physical deterioration of the facility would occur or be accelerated?				X
b) Does the project include recreational facilities or require the construction or expansion of recreational facilities which might have an adverse physical effect on the environment?				X

Thresholds of Significance and Regulatory Setting:

The significance of impacts related to recreation services is based directly on the CEQA Guidelines checklist items a–b listed above.

Discussion of Checklist Answers:

a, b) Commercial and industrial projects do not generate park demand or park users, and the project does not include any recreation facilities. Therefore, there are no impacts with respect to these criteria.

XVII. Transportation

The project site is located on Atkinson Street, a two-lane collector roadway. A non-separated sidewalk leads to the site from the developments to the north and south. One public ingress and egress driveway is proposed from Atkinson Street onto the site. A sliding gate at the southwest of the project will allow connection to the property to the south and onto Atkinson Street.

Would the project:

Environmental Issue	Potentially Significant Impact	Less Than Significant With Mitigation	Less Than Significant Impact	No Impact
a) Conflict with a program, plan, ordinance or policy addressing the circulation system, including transit, roadway, bicycle, and pedestrian facilities?			X	

CC Exhibit A

Environmental Issue	Potentially Significant Impact	Less Than Significant With Mitigation	Less Than Significant Impact	No Impact
b) Conflict or be inconsistent with CEQA Guidelines Section 15064.3, subdivision (b)?			X	
c) Substantially increase hazards due to a geometric design feature(s) (e.g., sharp curves or dangerous intersections) or incompatible uses (e.g., farm equipment)?			X	
d) Result in inadequate emergency access?			X	

Thresholds of Significance and Regulatory Setting:

CEQA Guidelines Section 15064.3 indicates that a project's effect on automobile delay cannot be considered a significant impact, and directs transportation system analysis to focus on vehicle miles traveled (VMT), per checklist item b. However, the CEQA Guidelines also include consistency with a program, plan, or policy addressing transportation systems as an area of potential environmental effects (checklist item a). The City has adopted the following plans, ordinances, or policies applicable to this checklist item: Pedestrian Master Plan, Bicycle Master Plan, and Short-Range Transit Plan, and General Plan Circulation Element. The project is evaluated for consistencies with these plans and the policies contained within them, which includes an analysis of delay. The Circulation Element of the General Plan establishes Level of Service C or better as an acceptable operating condition at all signalized intersections during a.m. and p.m. peak hours. Exceptions to this policy may be made by the City Council, but a minimum of 70% of all signalized intersections must maintain LOS C. The Findings of the Implementing Procedures indicate that compliance with the Traffic Mitigation Fee (RMC Ch. 4.44) will fund roadway projects and improvements necessary to maintain the City's Level of Service standards for projects consistent with the General Plan and related Specific Plan. An existing plus project conditions (short-term) traffic impact study may be required for projects with unique trip generation or distribution characteristics, in areas of local traffic constraints, or to study the proposed project access. A cumulative plus project conditions (long-term) study is required if a project is inconsistent with the General Plan or Specific Plan and would generate more than 50 pm peak-hour trips. The guidelines for traffic study preparation are found in the City of Roseville Design and Construction Standards—Section 4.

For checklist item b, the CEQA Guidelines Section 15064.3 establishes a detailed process for evaluating the significance of transportation impacts. In accordance with this section, the analysis must focus on the generation of vehicle miles traveled (VMT). Projects within one-half mile of either an existing major transit stop⁵ or a stop along an existing high quality transit corridor⁶ should be presumed to have less than significant impacts, as should any project which will decrease VMT when compared with the existing conditions. VMT may be analyzed qualitatively if existing models or methods are not available to estimate VMT for a particular project; this will generally be appropriate for discussions of construction traffic VMT.

⁵ A site containing an existing rail transit station, a ferry terminal served by either a bus or rail transit service, or the intersection of two or more major bus routes with a frequency of service interval of 15 minutes or less during the morning and afternoon peak commute periods. (Public Resources Code Section 21064.3)

⁶ A corridor with fixed route bus service at service intervals of 15 minutes or less during peak commute hours.

CC Exhibit A

Impacts with regard to items c and d are assessed based on the expert judgment of the City Engineer and City Fire Department, as based upon facts and consistency with the City's Design and Construction Standards.

Discussion of Checklist Answers:

a) The City of Roseville has adopted a Pedestrian Master Plan, Bicycle Master Plan, and Short-Range Transit Plan. The project was reviewed for consistency with these documents. All facilities identified in these plans for this area are already installed, and the project does not impact or conflict with these planning documents. In addition, the proposed project is consistent with the underlying land use designations, and does not contribute new, unanticipated trips; a cumulative conditions traffic model is not required. After review by City Engineering, it was also determined that an access and circulation analysis was not needed, as there are no peculiar or challenging characteristics to either the project or the existing circulation system. The project is consistent with the most recent Citywide traffic analysis within the Amoruso Ranch Specific Plan EIR, and will not result in any new or unanticipated impacts with respect to the City's Level of Service policy.

b) Traffic analyses focus on the number of trips traveling in specified areas during peak periods, in order to quantify impacts as specific intersections. However, there is no direct relationship between the number of trips and the amount of VMT generated by a use. Projects which substantially increase trips to a specific area may in fact decrease VMT in the City. As an example, if a new grocery store is added to an area, customers who go to that store were already going to a grocery store elsewhere, and are most likely to choose the new store because it is closer to home or on their way to another location (e.g. work). So while the store would generate substantial new trips, it would lower Citywide VMT. Unless a project includes unique characteristics, non-residential projects do not increase VMT; they divert existing trips into a similar or more efficient pathway.

The proposed project is non-residential development of an infill property, surrounded by existing development. The project does not include any unique characteristics which would draw in regional traffic, or which would prompt longer trips. The project would locate services and employment in proximity to existing developed areas, and would therefore have a neutral or positive impact on vehicle miles traveled; impacts are less than significant.

c, d) The project has been reviewed by the City Engineering and City Fire Department staff, and has been found to be consistent with the City's Design Standards. Furthermore, standard conditions of approval added to all City project require compliance with Fire Codes and other design standards. Compliance with existing regulations ensure that impacts are less than significant.

XVIII. Tribal Cultural Resources

As described within the Open Space and Conservation Element of the City of Roseville General Plan, the Roseville region was within the territory of the Nisenan (also Southern Maidu or Valley Maidu). Two large permanent Nisenan habitation sites have been identified and protected within the City's open space (in Maidu Park). Numerous smaller cultural resources, such as midden deposits and bedrock mortars, have also been recorded in the City. A majority of documented sites within the City are located in areas designated for open space uses.

Would the project cause a substantial adverse change in the significance of a Tribal Cultural Resource as defined in Public Resources Code Section 21074 as either a site, feature, place, cultural landscape that is geographically

CC Exhibit A

defined in terms of the size and scope of the landscape, sacred place, or object with cultural value to a California Native American tribe, and that is:

Environmental Issue	Potentially Significant Impact	Less Than Significant With Mitigation	Less Than Significant Impact	No Impact
a) Listed or eligible for listing in the California Register of Historical Resources, or in a local register of historical resources as defined in Public Resources Code section 5020.1(k)?			X	
b) A resource determined by the lead agency, in its discretion and supported by substantial evidence, to be significant pursuant to criteria set forth in subdivision (c) of Public Resources Code Section 5024.1? In applying the criteria set forth in subdivision (c) of Public Resources Code Section 5024.1 the lead agency shall consider the significance of the resource to a California Native American tribe.			X	

Thresholds of Significance and Regulatory Setting:

In addition to archeological resources, tribal cultural resources are also given particular treatment. Tribal cultural resources are defined in Public Resources Code Section 21074, as either 1) a site, feature, place, geographically-defined cultural landscape, sacred place, or object with cultural value to a California Native American Tribe, that is listed or eligible for listing on the California Register or Historical Resources, or on a local register of historical resources or as 2) a resource determined by the lead agency, supported by substantial evidence, to be significant according to the historical register criteria in Public Resources Code section 5024.1(c), and considering the significance of the resource to a California Native American Tribe.

Discussion of Checklist Answers:

a) The General Plan EIR included a historic and cultural resources study, which included research on whether any listed or eligible sites had been documented in the project area. No such sites were found. However, standard mitigation measures apply which are designed to reduce impacts to any previously undiscovered resources, should any be found on-site. As discussed in the Cultural Resources section of this document, these measures are included in all City improvement plans. The measure requires an immediate cessation of work, and contact with the appropriate agencies to address the resource before work can resume. The project will not result in any new impacts beyond those already discussed and disclosed in the General Plan EIR; project-specific impacts are less than significant.

CC Exhibit A

b) Notice of the proposed project was mailed to tribes which had requested such notice pursuant to AB 52 and SB18. A request for consultation was not received. As discussed in item a, above, no resources are known to occur in the area. However, standard mitigation measures apply which are designed to reduce impacts to resources, should any be found on-site. The measure requires an immediate cessation of work, and contact with the appropriate agencies to address the resource before work can resume. The project will not result in any new impacts beyond those already discussed and disclosed in the General Plan EIR; project-specific impacts are less than significant.

XIX. Utilities and Service Systems

There are existing storm drains along Foothills Blvd. and Pleasant Grove Blvd. as well as on the site. Storm drains on the site outfall into an existing drainage course. The proposal with the project is to fill the existing drainage course and construct a new storm drain to take the drainage between existing storm drains on the site. No wastewater treatment is necessary as there is none currently on the site and the project involves grading only.

Would the project:

Environmental Issue	Potentially Significant Impact	Less Than Significant With Mitigation	Less Than Significant Impact	No Impact
a) Require or result in the relocation or construction of new or expanded water, wastewater treatment or storm water drainage, electric power, natural gas, or telecommunications facilities, the construction or relocation of which could cause significant environmental effects?			X	
b) Have sufficient water supplies available to serve the project and reasonably foreseeable future development during normal, dry, and multiple dry years?			X	
c) Result in a determination by the wastewater treatment provider which serves the project that it has adequate capacity to serve the project's projected demand in addition of the provider's existing commitments?			X	

CC Exhibit A

Environmental Issue	Potentially Significant Impact	Less Than Significant With Mitigation	Less Than Significant Impact	No Impact
d) Generate solid waste in excess of State or local standards, or in excess of the capacity of local infrastructure, or otherwise impair the attainment of solid waste reduction goals?			X	
e) Comply with federal, state, and local management and reduction statutes and regulations related to solid waste?			X	

Thresholds of Significance and Regulatory Setting:

The significance of impacts related to utilities and service systems is based directly on the CEQA Guidelines checklist items a–e listed above.

Discussion of Checklist Answers:

a) The project will involve minor storm water infrastructure to be constructed within the project site. However, these facilities will be constructed in locations where site development was expected to occur and existing drainage facilities are adequately sized to accommodate the storm water flows from the project site. There are no additional impacts to the storm drain improvements.

b) The City of Roseville 2015 Urban Water Management Plan (UWMP), adopted May 2016, estimates water demand and supply for the City through the year 2040, based on existing land use designations and population projections. In addition, the Amoruso Ranch Water Supply Assessment (AR WSA, Appendix E of the Amoruso Ranch FEIR), dated May 2016, estimates water demand and supply for ultimate General Plan buildout. The project is consistent with existing land use designations, and is therefore consistent with the assumptions of the UWMP and AR WSA. The UWMP indicates that existing water supply sources are sufficient to meet all near term needs, estimating an annual water demand of 45,475 acre-feet per year (AFY) by the year 2020 and existing surface and recycled water supplies in the amount of 70,421 AFY. The AR WSA estimates a Citywide buildout demand of 64,370 AFY when including recycled water, and of 59,657 AFY of potable water. The AR WSA indicates that surface water supply is sufficient to meet demand during normal rainfall years, but is insufficient during single- and multiple-dry years. However, the City's UWMP establishes mandatory water conservation measures and the use of groundwater to offset reductions in surface water supplies. Both the UWMP and AR WSA indicate that these measures, in combination with additional purchased water sources, will ensure that supply meets projected demand. The project, which is consistent with existing land use designations, would not require new or expanded water supply entitlements.

c) The proposed project would be served by the Dry Creek Wastewater Treatment Plant (DCWWTP). The Central Valley Regional Water Quality Control Board (RWQCB) regulates water quality and quantity of effluent discharged from the City's wastewater treatment facilities. The DCWWTP has the capacity to treat 18 million gallons per day (mgd) and is currently treating 8.9 mgd. The volume of wastewater generated by the proposed project could be accommodated by the facility; the proposed project will not contribute to an exceedance of applicable wastewater treatment requirements. The impact would be less than significant.

CC Exhibit A

d, e) The Western Placer Waste Management Authority is the regional agency handling recycling and waste disposal for Roseville and surrounding areas. The regional waste facilities include a Material Recovery Facility (MRF) and the Western Regional Sanitary Landfill (WRSL). Currently, the WRSL is permitted to accept up to 1,900 tons of municipal solid waste per day. According to the solid waste analysis of the Amoruso Ranch Specific Plan FEIR, under current projected development conditions the WRSL has a projected lifespan extending through 2058. There is sufficient existing capacity to serve the proposed project. Though the project will contribute incrementally to an eventual need to find other means of waste disposal, this impact of City buildout has already been disclosed and mitigation applied as part of each Specific Plan the City has approved, including the most recent Amoruso Ranch Specific Plan. All residences and business in the City pay fees for solid waste collection, a portion of which is collected to fund eventual solid waste disposal expansion. The project will not result in any new impacts associated with major infrastructure. Environmental Utilities staff has reviewed the project for consistency with policies, codes, and regulations related to waste disposal and waste reduction regulations and policies and has found that the project design is in compliance.

XX. Wildfire

If located in or near state responsibility areas or lands classified as very high fire hazard severity zones, would the project:

Environmental Issue	Potentially Significant Impact	Less Than Significant With Mitigation	Less Than Significant Impact	No Impact
a) Substantially impair an adopted emergency response plan or emergency evacuation plan?				X
b) Due to slope, prevailing winds, and other factors, exacerbate wildfire risks, and thereby expose project occupants to pollutant concentrations from a wildfire or the uncontrolled spread of a wildfire?				X
c) Require the installation or maintenance of associated infrastructure (such as roads, fuel breaks, emergency water sources, power lines or other utilities) that may exacerbate fire risk or that may result in temporary or ongoing impacts to the environment?				X

CC Exhibit A

Environmental Issue	Potentially Significant Impact	Less Than Significant With Mitigation	Less Than Significant Impact	No Impact
d) Expose people or structures to significant risks, including downslope or downstream flooding or landslides, as a result of runoff, post-fire slope instability, or drainage changes?				X

Thresholds of Significance and Regulatory Setting:

The significance of impacts related to utilities and service systems is based directly on the CEQA Guidelines checklist items a–d listed above. The California Department of Forestry and Fire Protection (CAL FIRE) is the state agency responsible for wildland fire protection and management. As part of that task, CAL FIRE maintains maps designating Wildland Fire Hazard Severity zones. The City is not located within a Very High Fire Hazard Severity Zone, and is not in a CAL FIRE responsibility area; fire suppression is entirely within local responsibility.

Discussion of Checklist Answers:

a–d) Therefore, checklist questions a–d above do not apply, because the project site is not within a Very High Fire Hazard Severity Zone and is not in a CAL FIRE responsibility area.

XXI. Mandatory Findings of Significance

Environmental Issue	Potentially Significant Impact	Less Than Significant With Mitigation	Less Than Significant Impact	No Impact
a) Does the project have the potential to degrade the quality of the environment, substantially reduce the habitat of a fish or wildlife species, cause a fish or wildlife population to drop below self-sustaining levels, threaten to eliminate a plant or animal community, substantially reduce the number or restrict the range of an endangered, threatened or rare species, or eliminate important examples of the major periods of California history or prehistory?			X	
b) Does the project have impacts which are individually limited, but cumulatively considerable? (“Cumulatively considerable” means that			X	

CC Exhibit A

Environmental Issue	Potentially Significant Impact	Less Than Significant With Mitigation	Less Than Significant Impact	No Impact
the incremental effects of a project are considerable when viewed in connection with the effects of past projects, the effects of other current projects, and the effects of probable future projects.)				
c) Does the project have environmental effects which will cause substantial adverse effects on human beings, either directly or indirectly?			X	

Significance Criteria and Regulatory Setting:

The significance of impacts related to mandatory findings of significance is based directly on the CEQA Guidelines checklist items a–c listed above.

Discussion of Checklist Answers:

a–c) Long term environmental goals are not impacted by the proposed project. The cumulative impacts do not deviate beyond what was contemplated in the General Plan EIR, and mitigation measures have already been incorporated via the General Plan EIR. With implementation of the City's Mitigating Ordinances, Guidelines, and Standards and best management practices, mitigation measures described in this chapter, and permit conditions, the proposed project will not have a significant impact on the habitat of any plant or animal species. Based on the foregoing, the proposed project does not have the potential to degrade the quality of the environment, substantially reduce the habitat of any wildlife species, or create adverse effects on human beings.

CC Exhibit A

ENVIRONMENTAL DETERMINATION:

*In reviewing the site specific information provided for this project and acting as Lead Agency, the City of Roseville, Development Services Department, Planning Division has analyzed the potential environmental impacts created by this project and determined that the impacts are less than significant. As demonstrated in the initial study checklist, there are no "project specific significant effects which are peculiar to the project or site" that cannot be reduced to less than significant effects through mitigation (CEQA Section 15183) and therefore an EIR is not required. Therefore, **on the basis of the foregoing initial study:***

I find that the proposed project clearly WILL NOT have a significant effect on the environment and a *NEGATIVE DECLARATION* has been prepared.

Initial Study Prepared by:

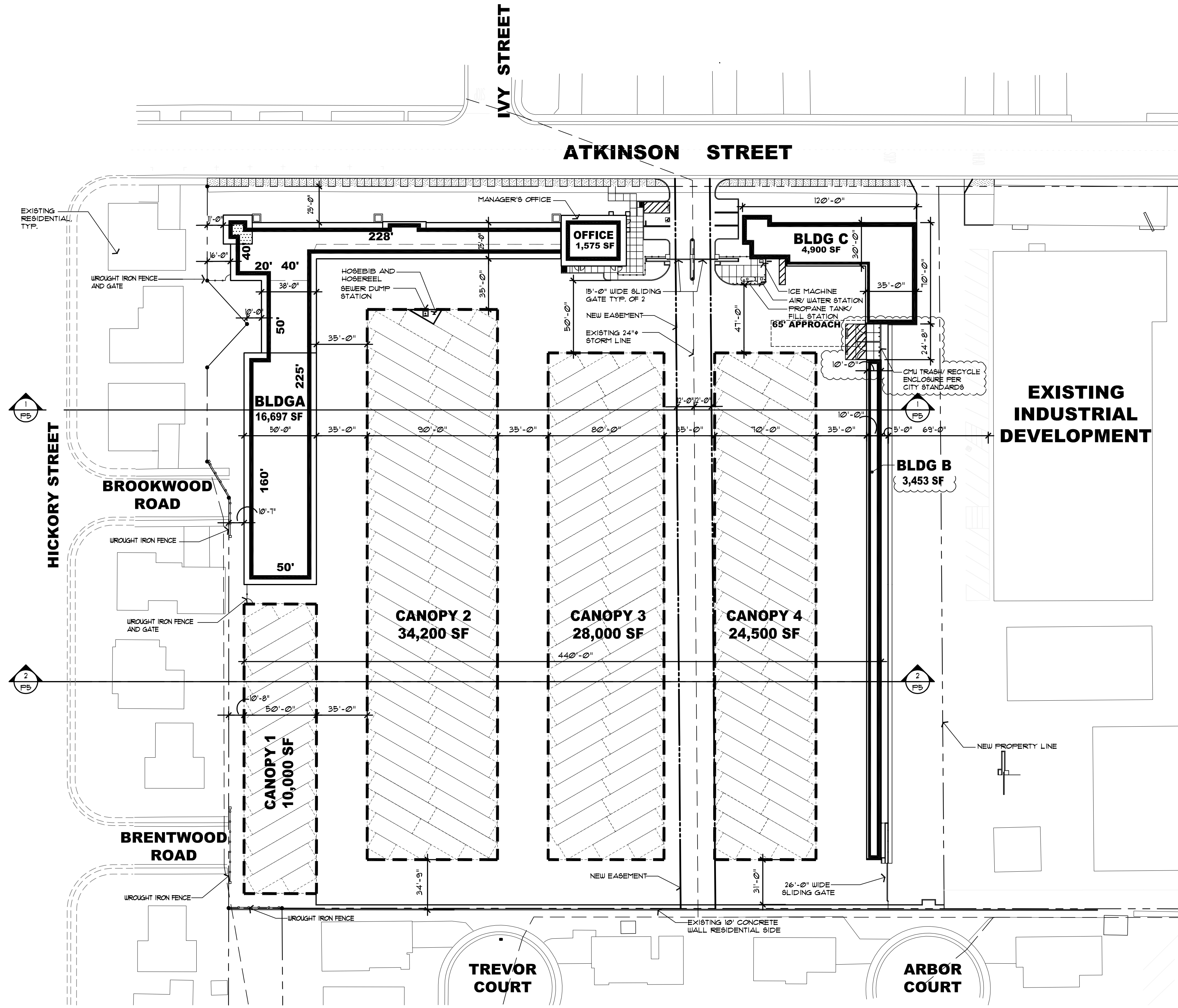


Sean Morales, Assistant Planner

City of Roseville, Development Services – Planning Division

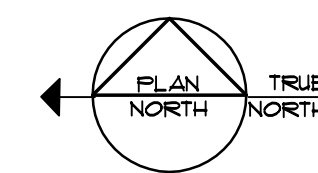
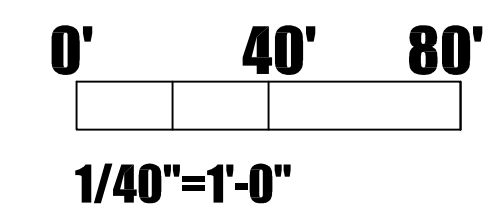
Attachments:

1. Site Plan
2. Grading Plan



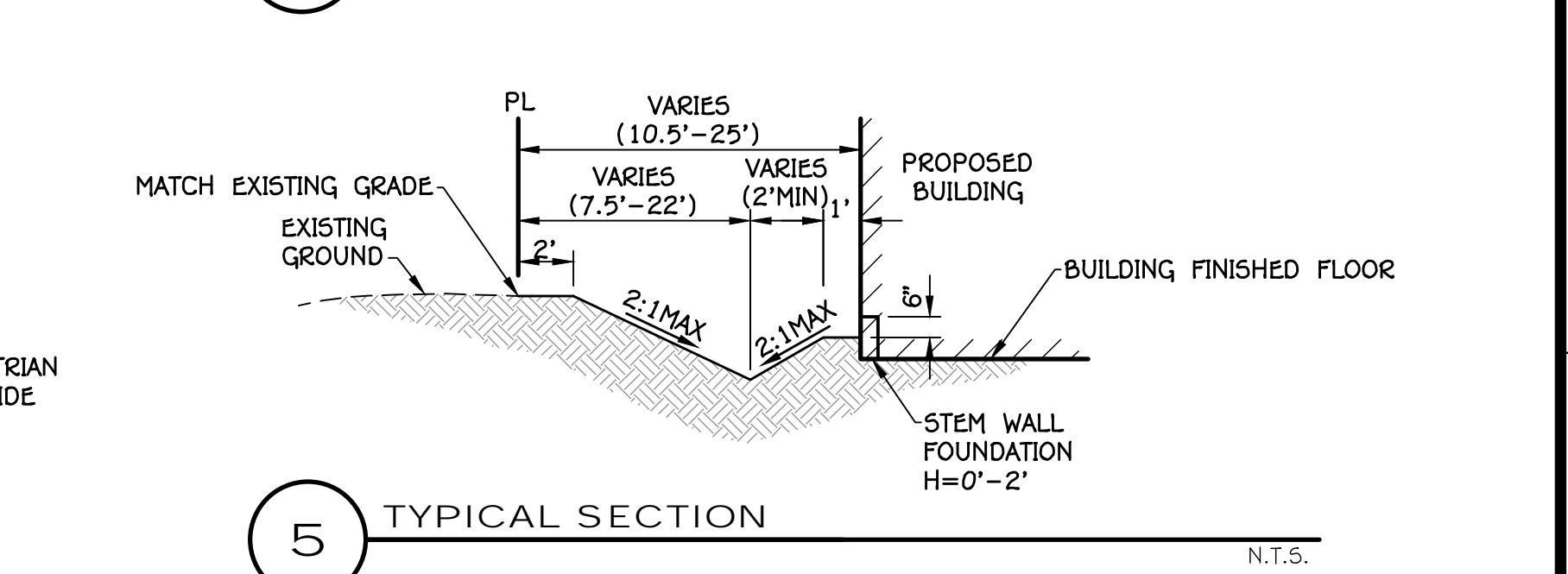
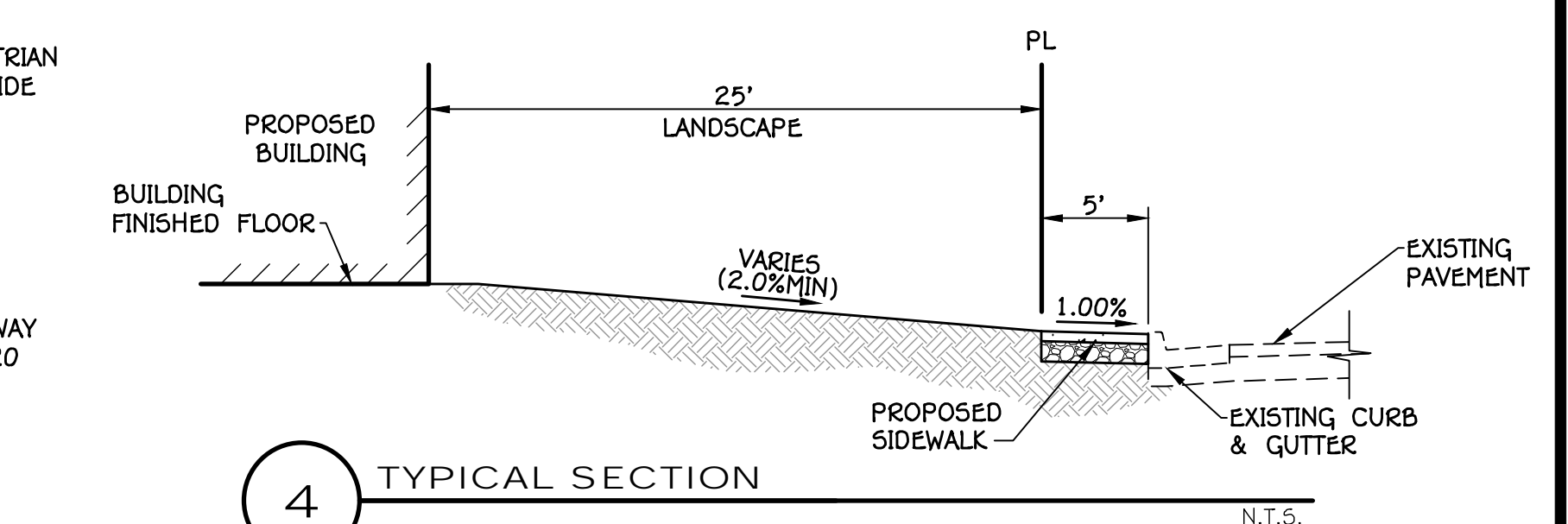
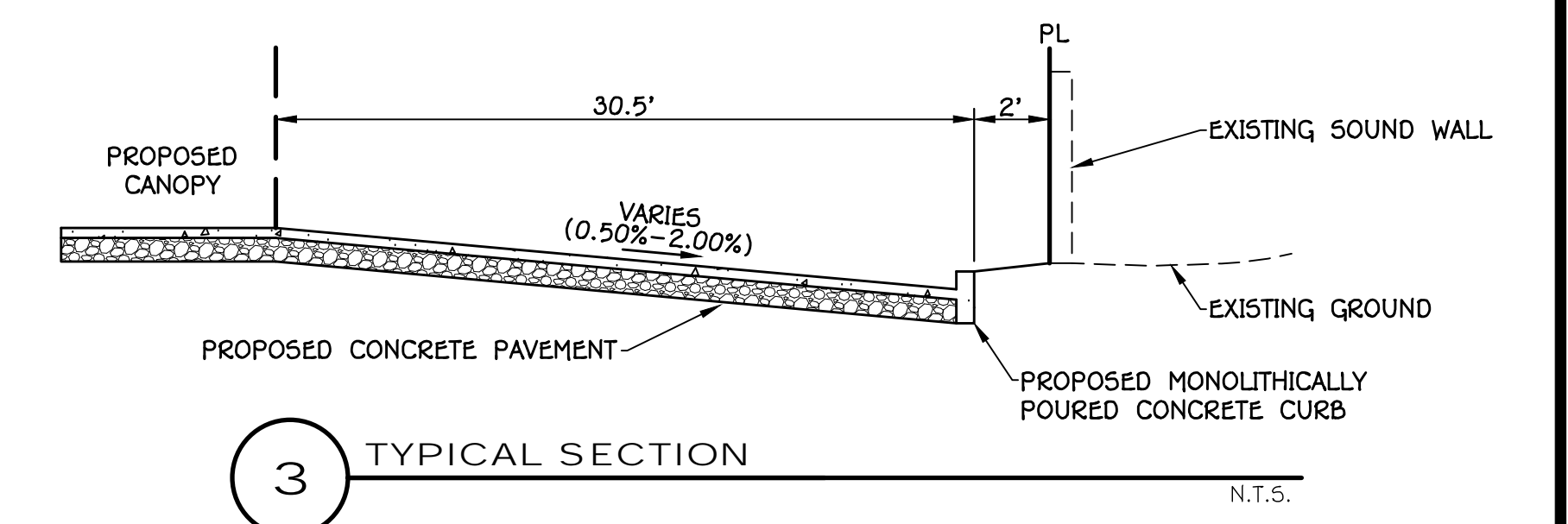
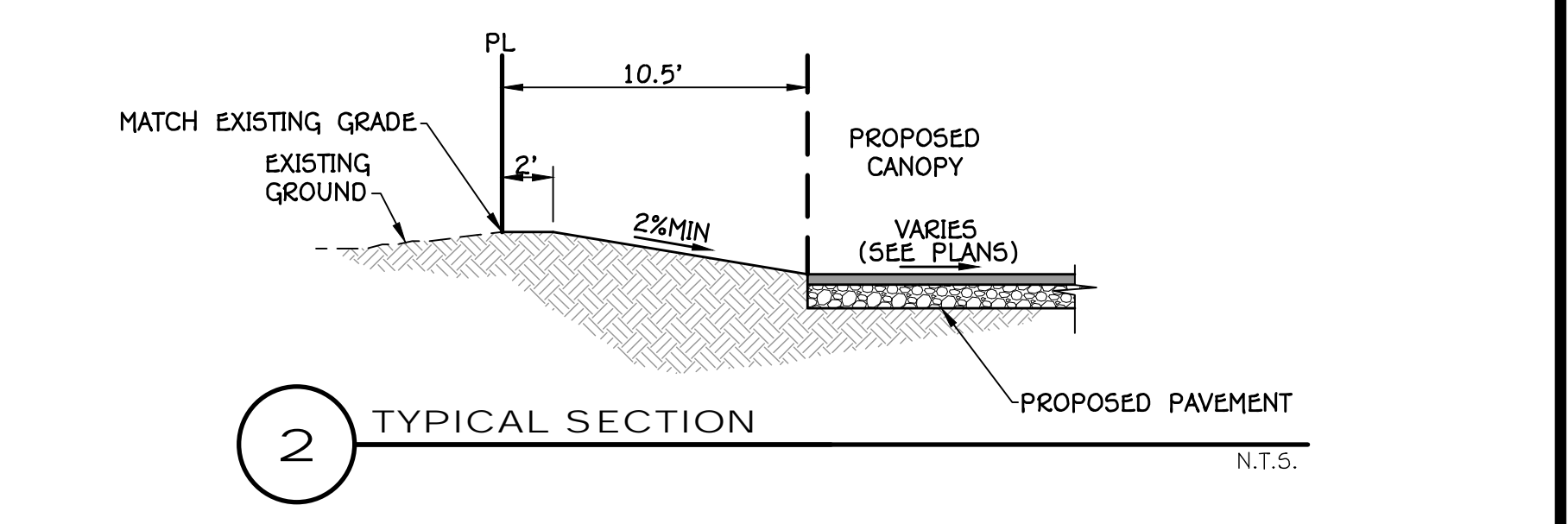
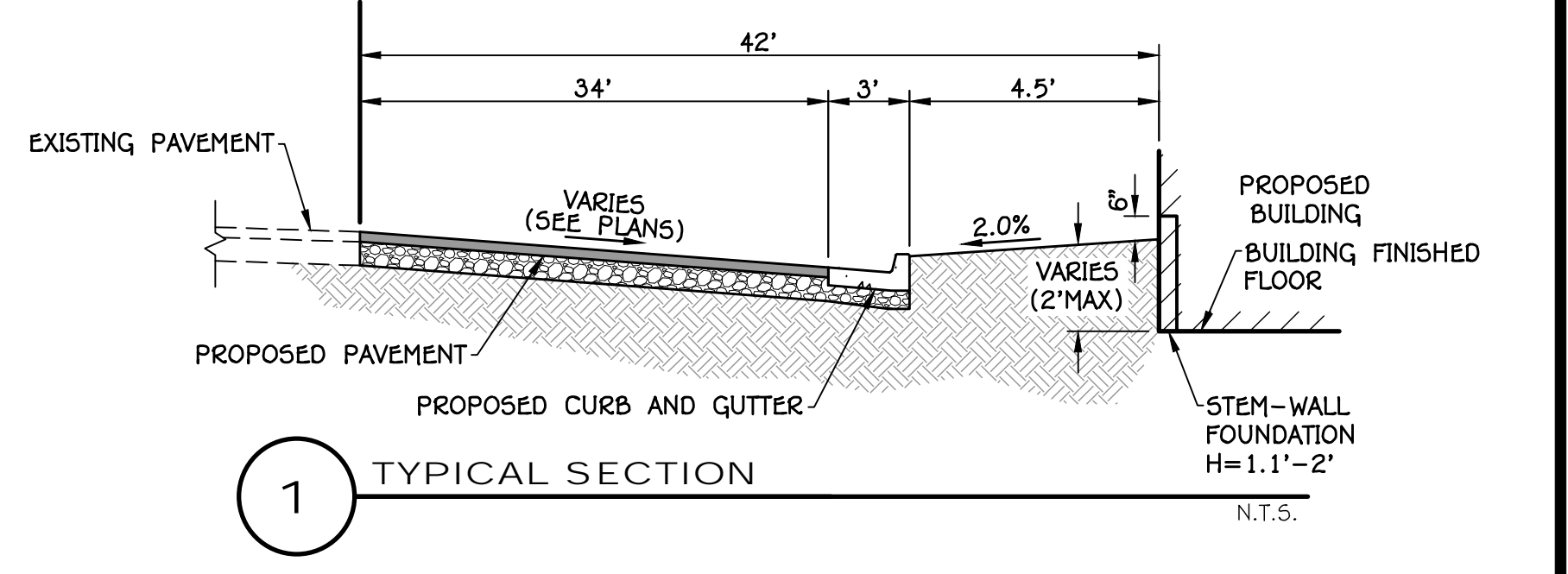
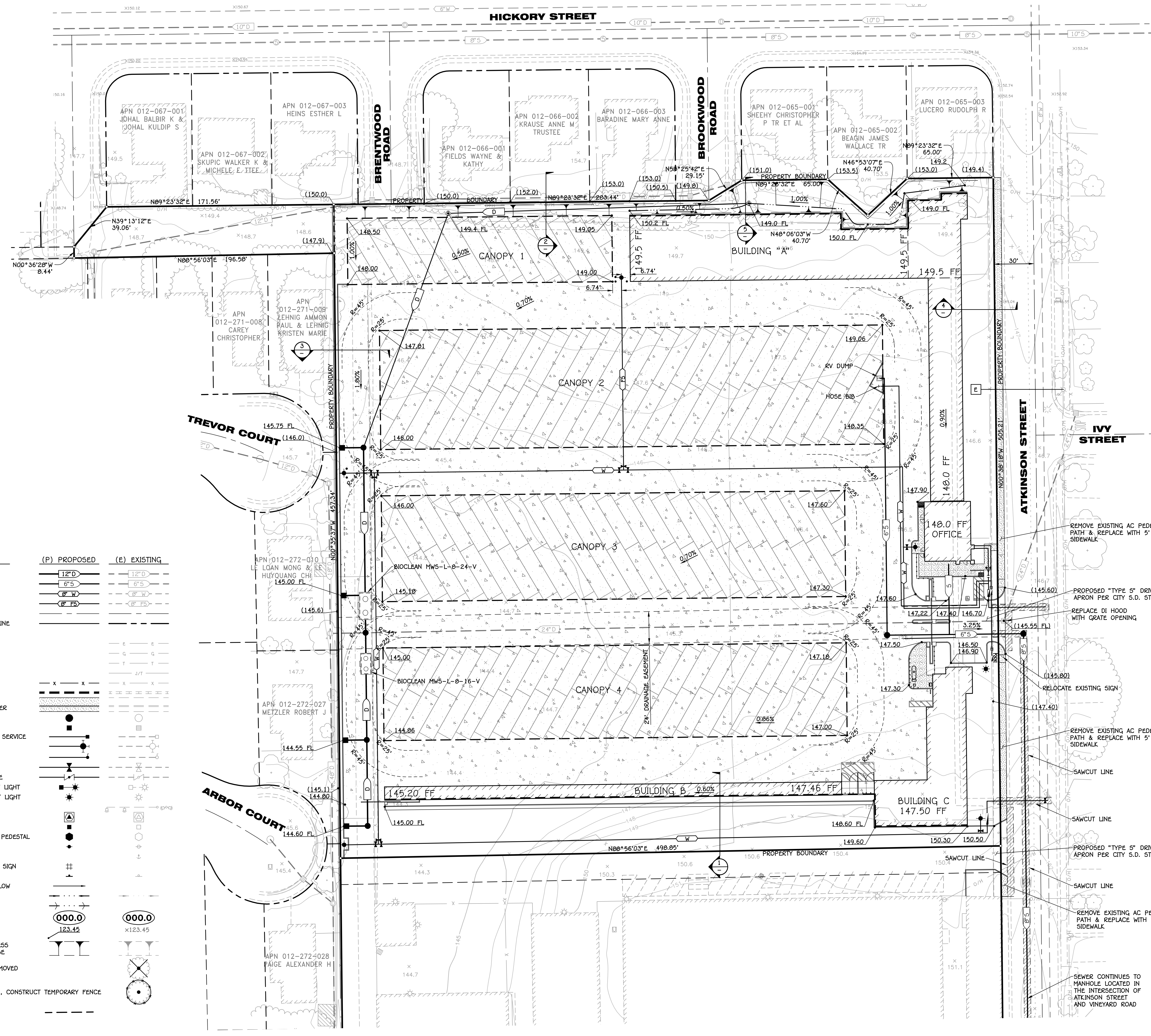
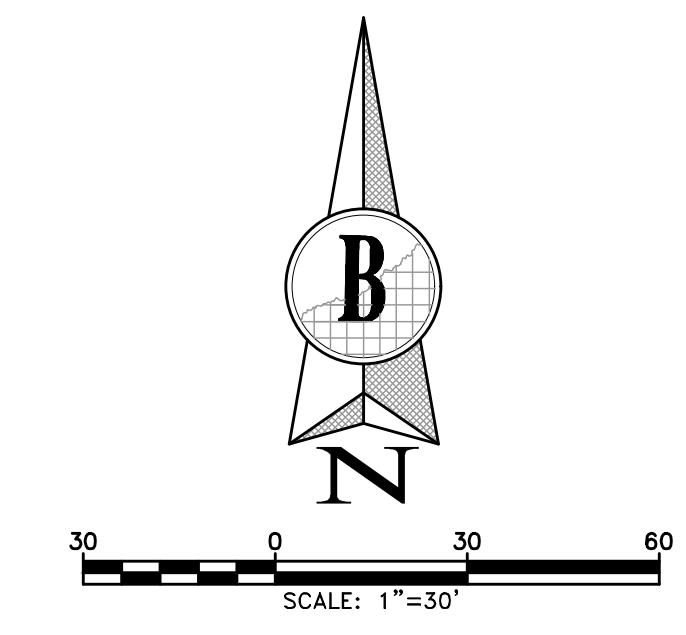
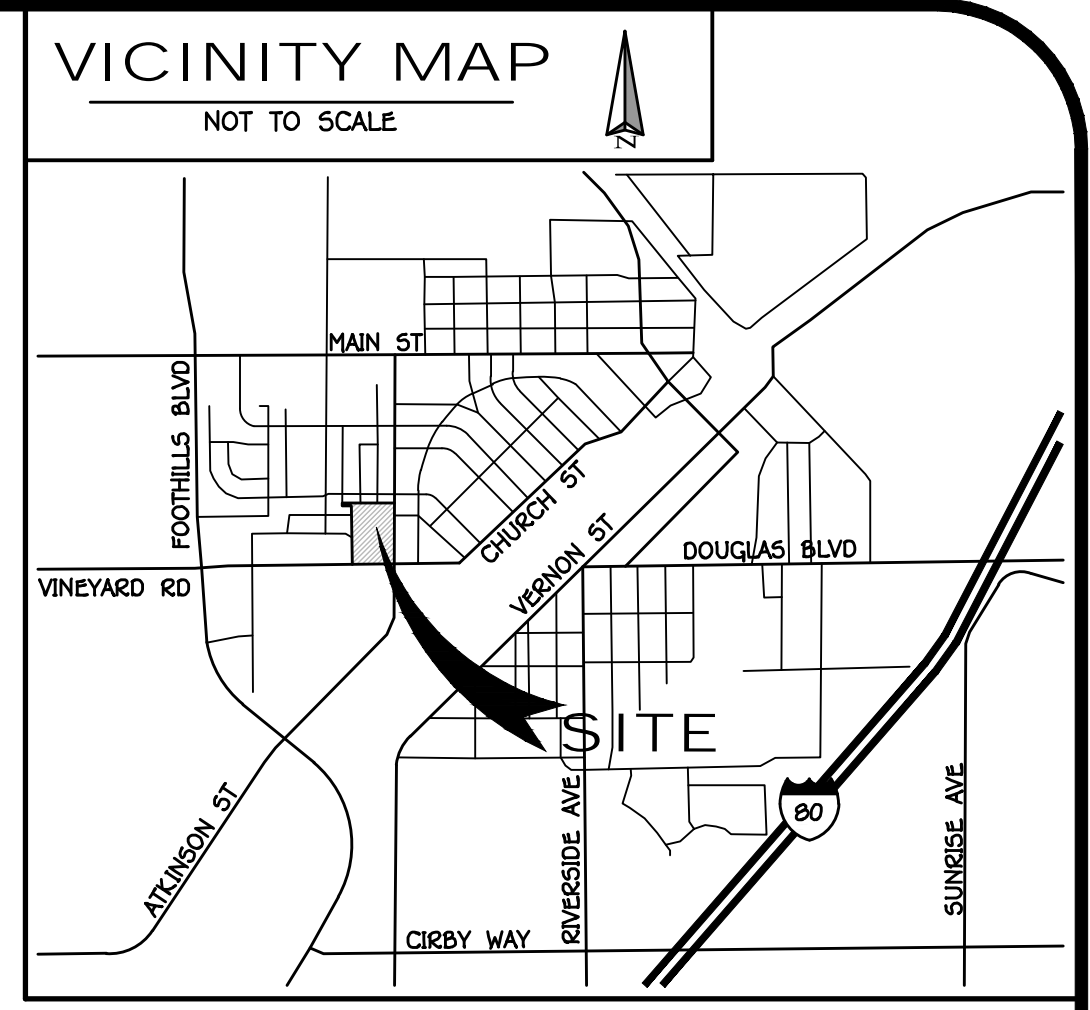
TABULATION

SITE	254,826 SF (5.85 AC)
STORAGE	25,050 SF
OFFICE	1,575 SF
TOTAL BUILDING	= 26,625 SF
FAR	10.44 %
COVERED RV/ BOAT (163 SPACES)	96,700 SF
PARKING (OFFICE)	6 STALLS



PRELIMINARY GRADING AND UTILITY PLAN FOR: 102 ATKINSON STREET

CITY OF ROSEVILLE CALIFORNIA
APN: 012-010-012 & 013



LEGEND

DESCRIPTIONS	(P) PROPOSED	(E) EXISTING
STORM DRAIN	12" D	12" D
SANITARY SEWER	6" S	6" S
WATER MAIN	8" W	8" W
FIRE SERVICE	8" FS	8" FS
CENTERLINE		
RIGHT OF WAY LINE		
BOUNDARY LINE		
ELECTRICAL LINE		
GAS LINE		
TELEPHONE LINE		
JOINT TRENCH		
FENCE		
RETAINING WALL		
SIDEWALK WITH CURB AND GUTTER		
MANHOLE		
DRAIN INLET		
METERED WATER SERVICE		
FIRE HYDRANT		
BLOWOFF VALVE		
GATE VALVE		
BUTTERFLY VALVE		
TYPE 'A' STREET LIGHT		
TYPE 'B' STREET LIGHT		
TRAFFIC SIGNAL		
TRANSFORMER		
PULLBOX		
UTILITY SERVICE PEDESTAL		
UTILITY POLE		
GUY WIRE		
4 SIDED STREET SIGN		
SIGN		
DIRECTION OF FLOW		
FLOWLINE		
SWALE		
PAD ELEVATION	000.0	000.0
ELEVATION	123.45	x123.45
2:1 SLOPE UNLESS NOTED OTHERWISE		
TREE TO BE REMOVED		
TREE TO REMAIN, CONSTRUCT TEMPORARY FENCE		
CANOPY		

PRELIMINARY GRADING AND UTILITY PLAN FOR:
102 ATKINSON STREET
MARCH 30, 2021



1001 Enterprise Way, Suite 100 Roseville, CA 95678 (916) 783-8898