
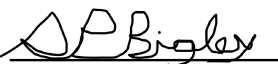



APPROVAL RECOMMENDED BY:

 JANICE GAINNEY, PE
 Senior Engineer
 Department of Environmental Utilities
 City of Roseville

11/14/22
 DATE

APPROVED BY:

 SEAN BIGLEY
 Assistant Director
 Department of Environmental Utilities
 City of Roseville

11/14/2022
 DATE

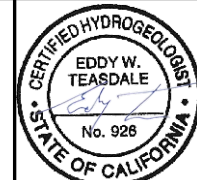
SUBMITTED BY:

 EDDY TEASDALE, CHG
 Principal Hydrogeologist
 Luhdorff & Scalmanini,
 Consulting Engineers

11/10/2022
 DATE

CITY OF ROSEVILLE

Aquifer Storage & Recovery (ASR) Well Drilling Campus Oaks (Well 13) & Misty Wood (Well 19)

Placer County, California
 November 2022



TITLE SHEET
 City of Roseville
 ASR Well Drilling (Wells 13 & 19)
 Placer County, California

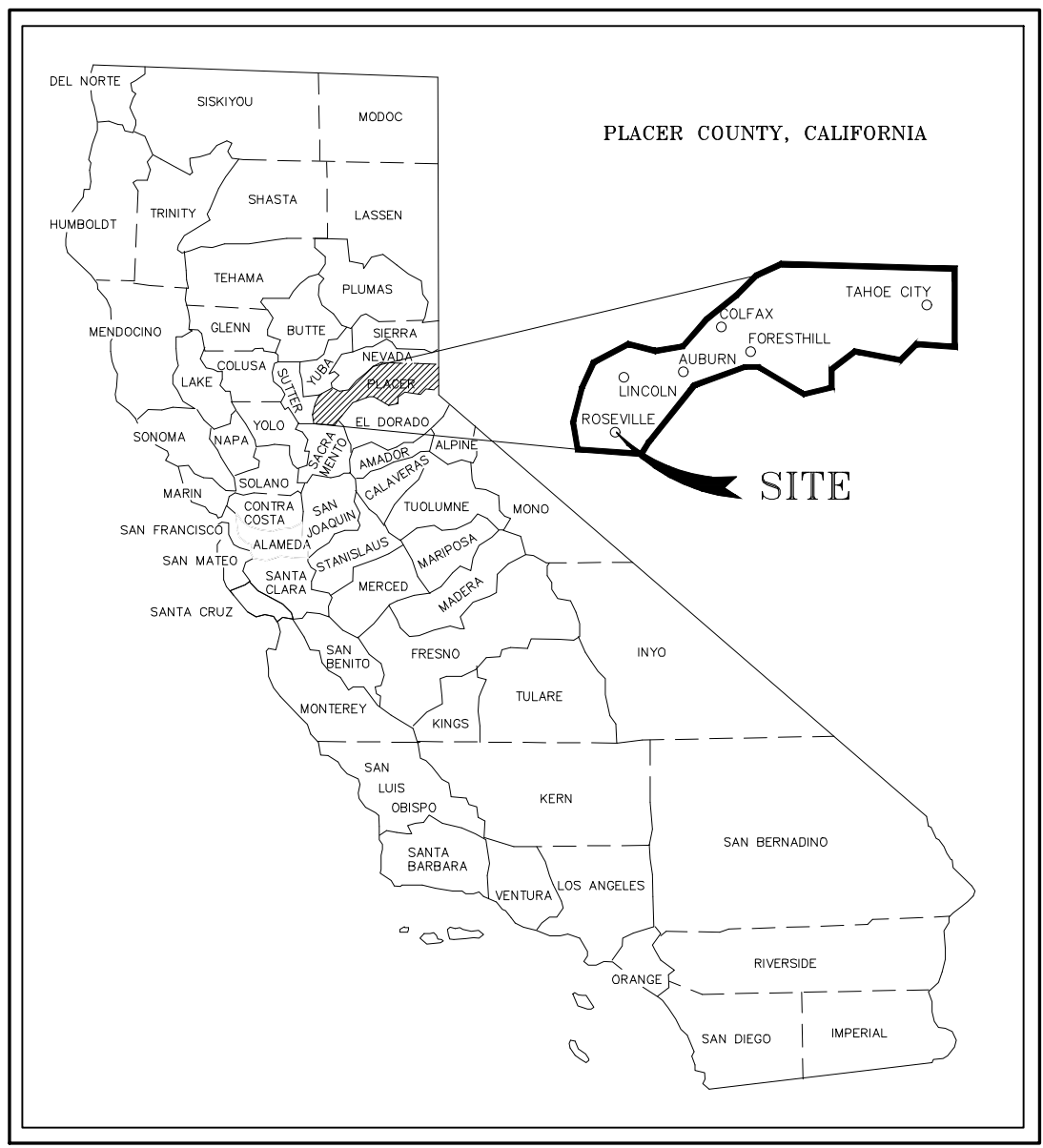


NO.	DATE	REVISIONS

DATE: NOVEMBER 2022
JOB NO.: 20-007
DESIGN BY: ET
DRAWN BY: TEMC
CHECKED BY: ED
FILE: Sheet 1.DWG

SHEET:
 1

INDEX OF SHEETS	
Sheet #	Title
1	TITLE SHEET
2	SITE MAP
3	MISTY WOOD WELL PROFILE
4	CAMPUS OAKS WELL PROFILE
5	STANDARD CONSTRUCTION DETAILS I
6	STANDARD CONSTRUCTION DETAILS II



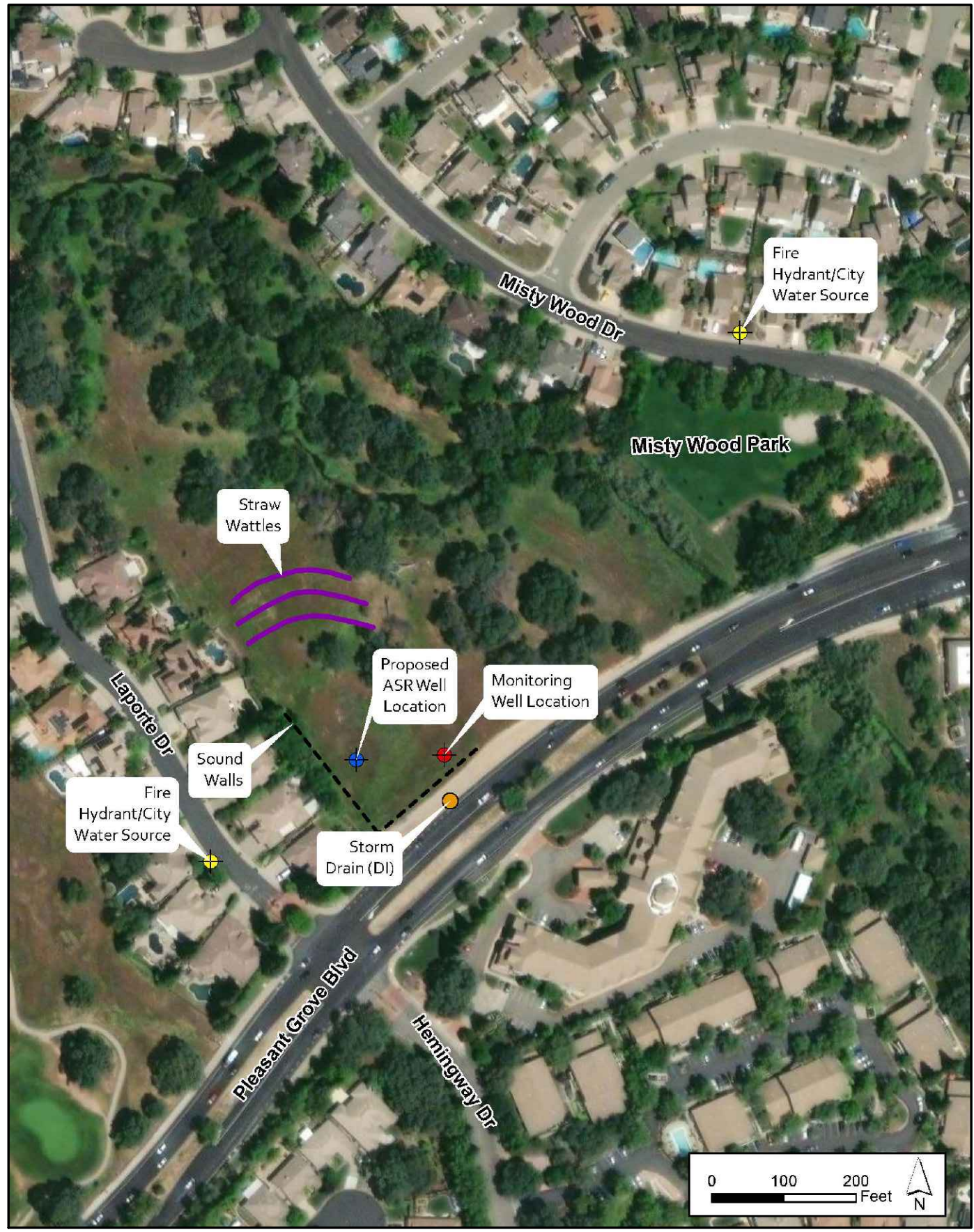
VICINITY MAP
 NOT TO SCALE



LOCATION MAP
 SCALE: AS SHOWN

CAD FILE: \\SERVER-01\GIS\US ACAD Dropbox\Projects\City of Roseville\20-007 ASR Project\Sheet 1.dwg DATE: 11/10/2022 2:44 PM

CAD FILE: \\SERVER-01\GIS\US ACAD Dropbox\Projects\City of Roseville\20-007 ASR Project\Sheet 2.dwg DATE: 11/10/2022 1:33 PM



MISTY WOOD ASR WELL 19 – SITE MAP
SCALE: AS SHOWN



CAMPUS OAKS ASR WELL 13 – SITE MAP
SCALE: AS SHOWN

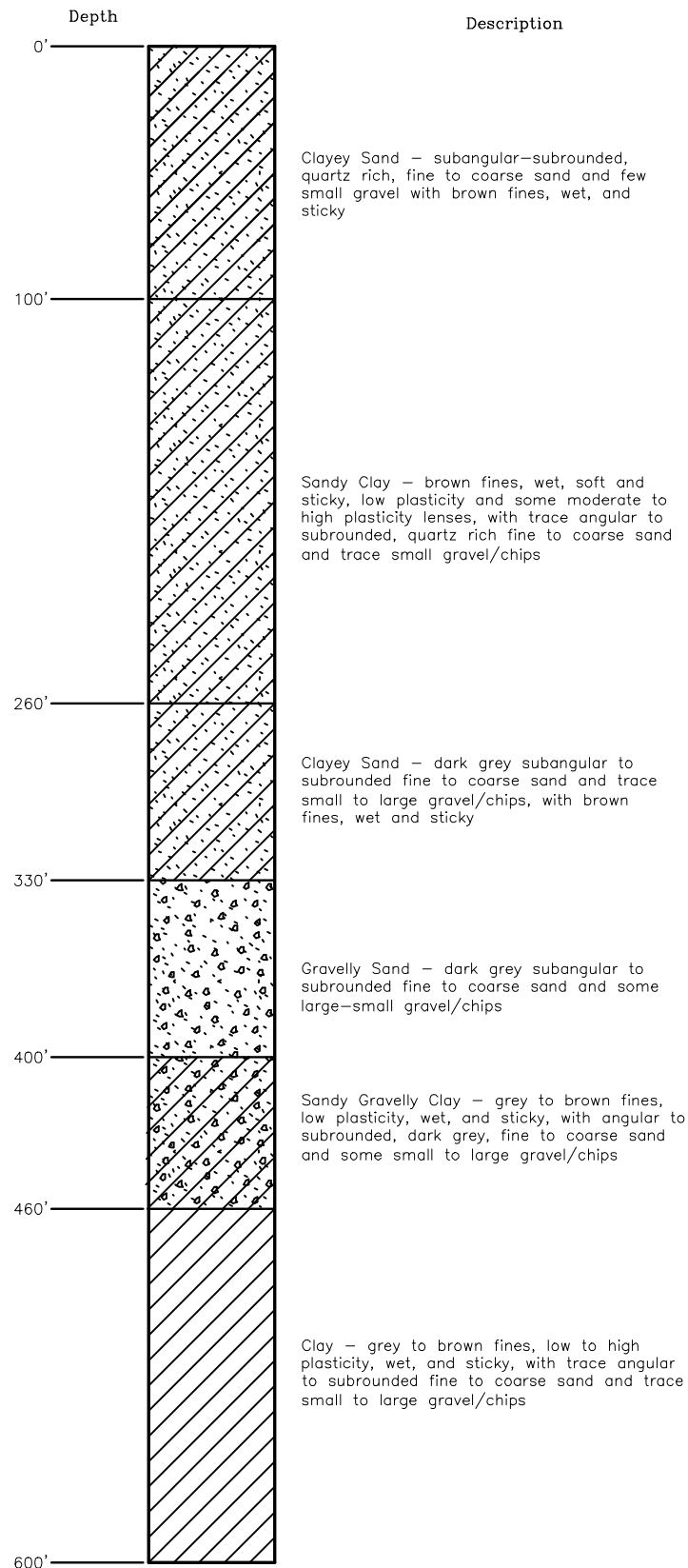
SITE MAP
City of Roseville
ASR Well Drilling (Wells 13 & 19)
Placer County, California



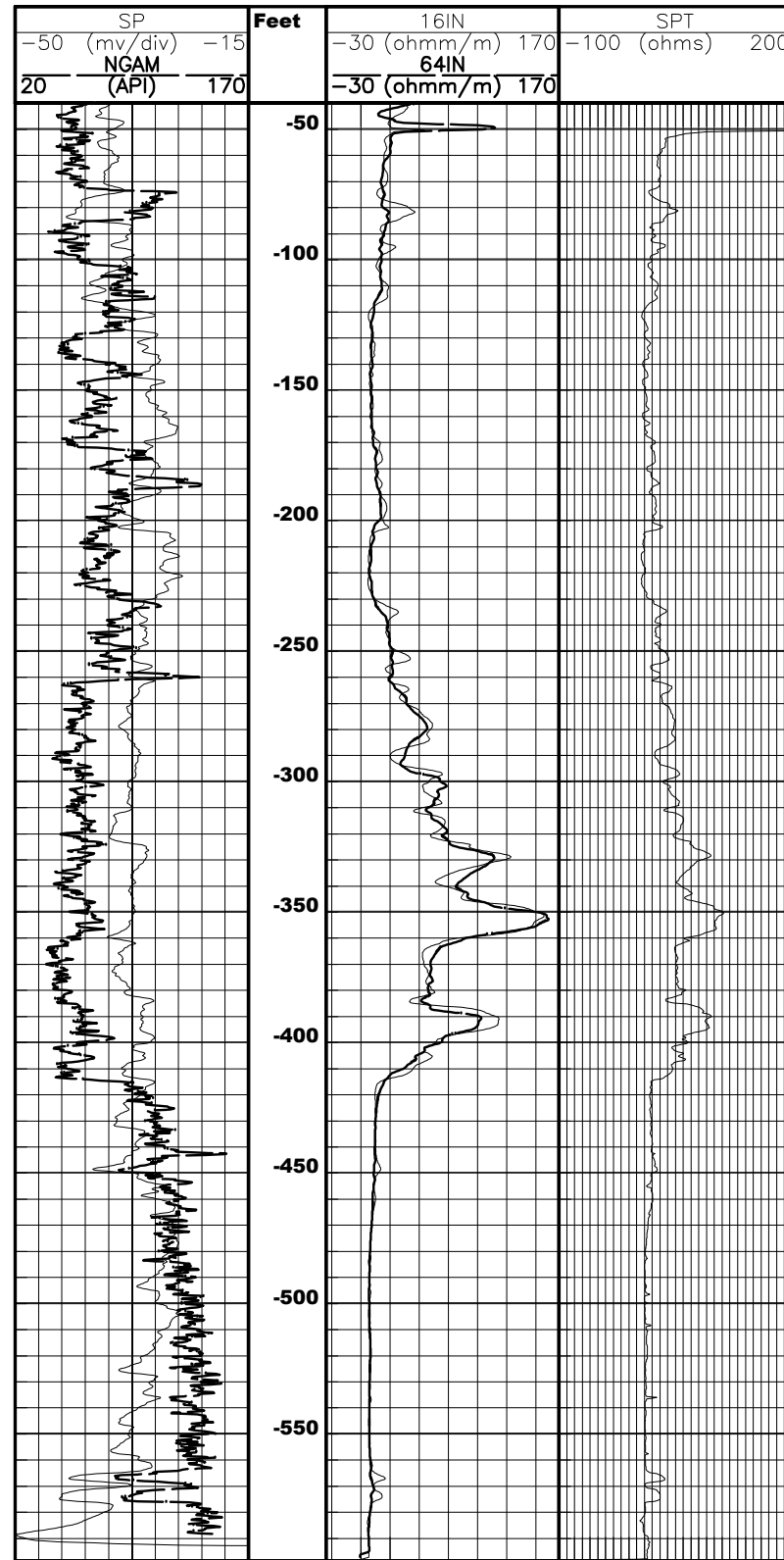
REVISIONS	
NO.	DATE

DATE: NOVEMBER 2022
JOB NO.: 20-007
DESIGN BY: ET
DRAWN BY: TEMC
CHECKED BY: ED
FILE: Sheet 2.DWG

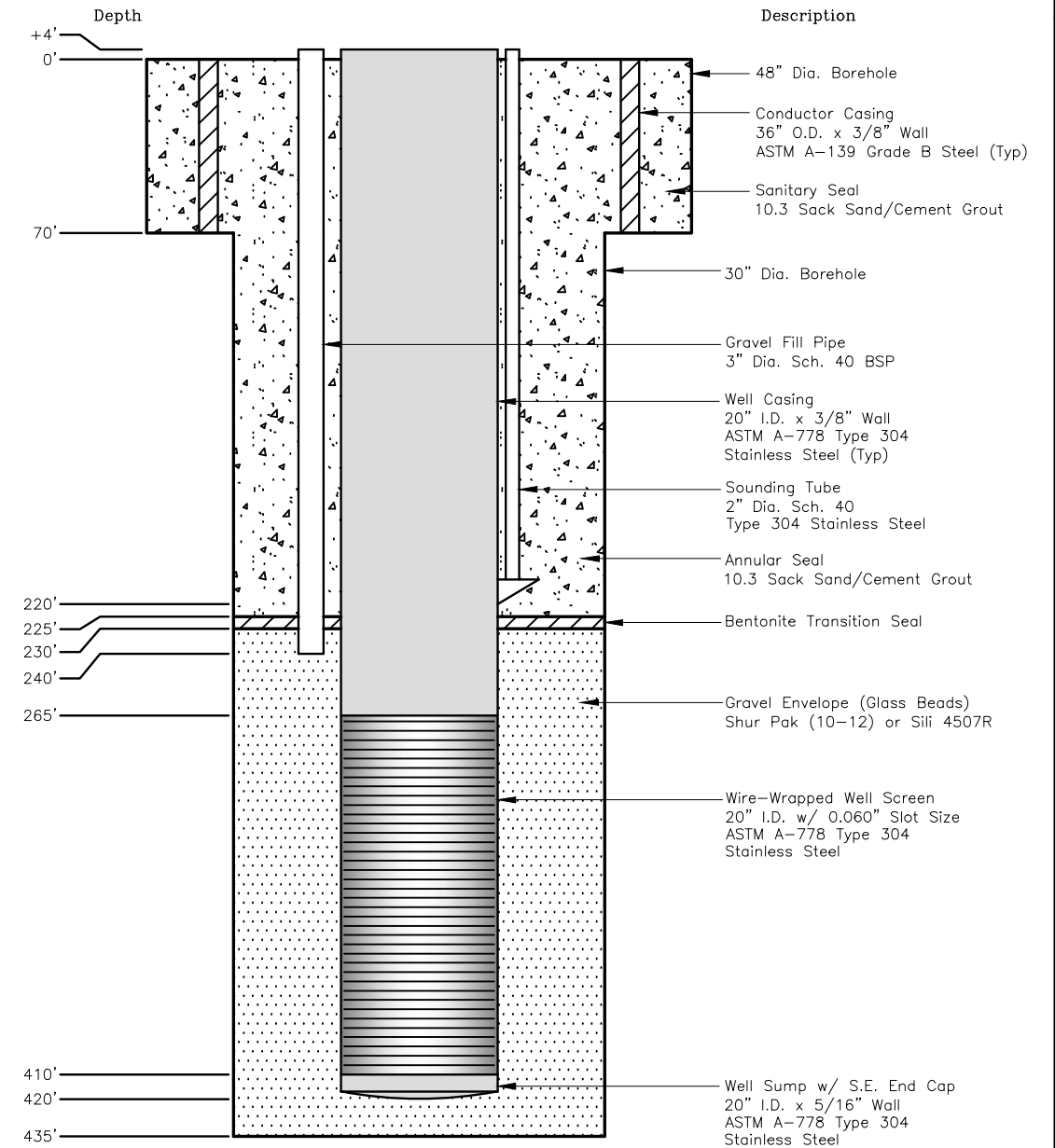
**CITY OF ROSEVILLE
MISTY WOOD ASR WELL 19
TEST HOLE LITHOLOGY**



**CITY OF ROSEVILLE
MISTY WOOD ASR WELL 19
TEST HOLE ELECTRICAL LOG**



**CITY OF ROSEVILLE
MISTY WOOD ASR WELL 19
WELL PROFILE**



MISTY WOOD WELL PROFILE
City of Roseville
ASR Well Drilling (Wells 13 & 19)
Placer County, California

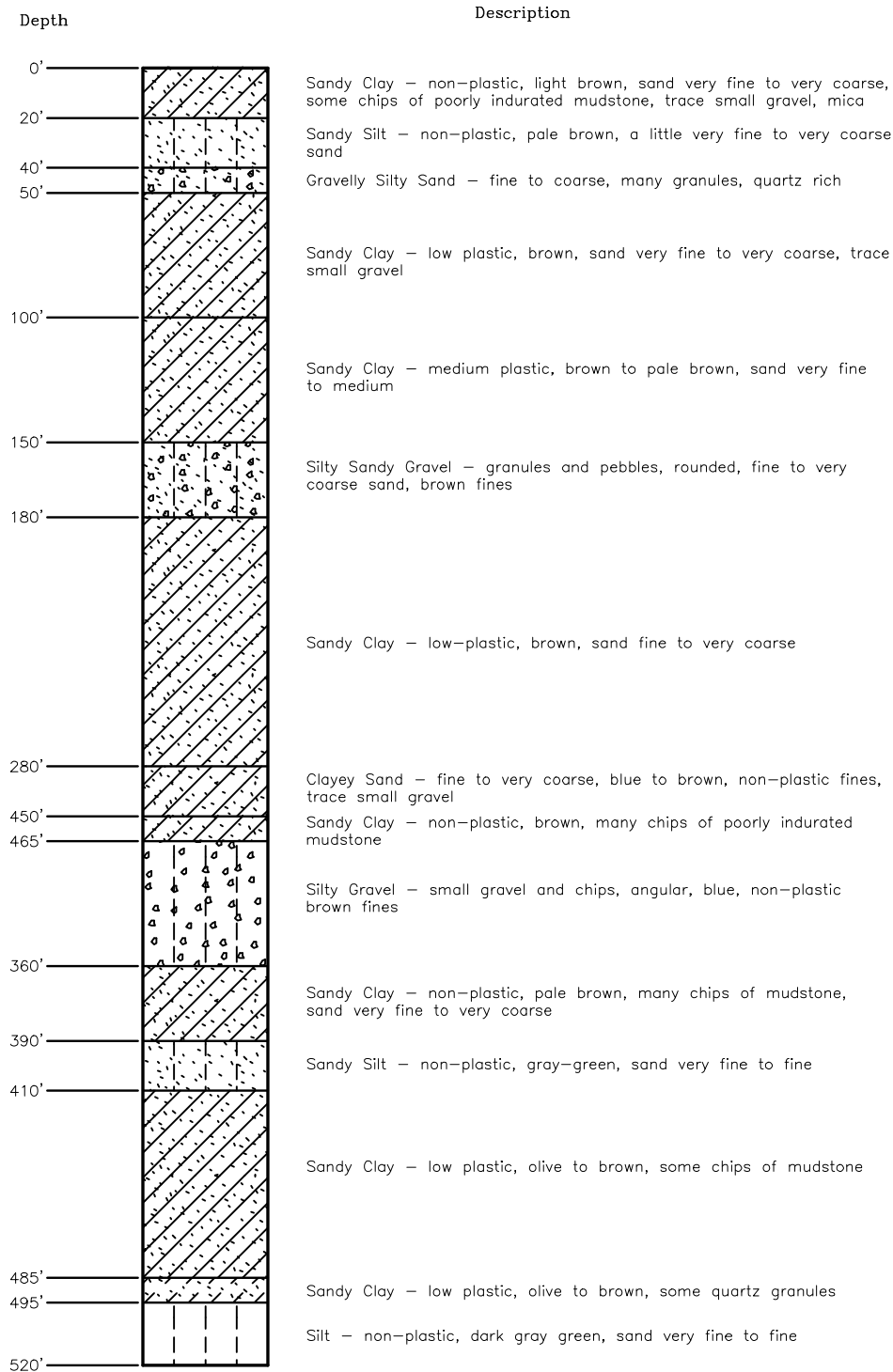


NO.	DATE	REVISION

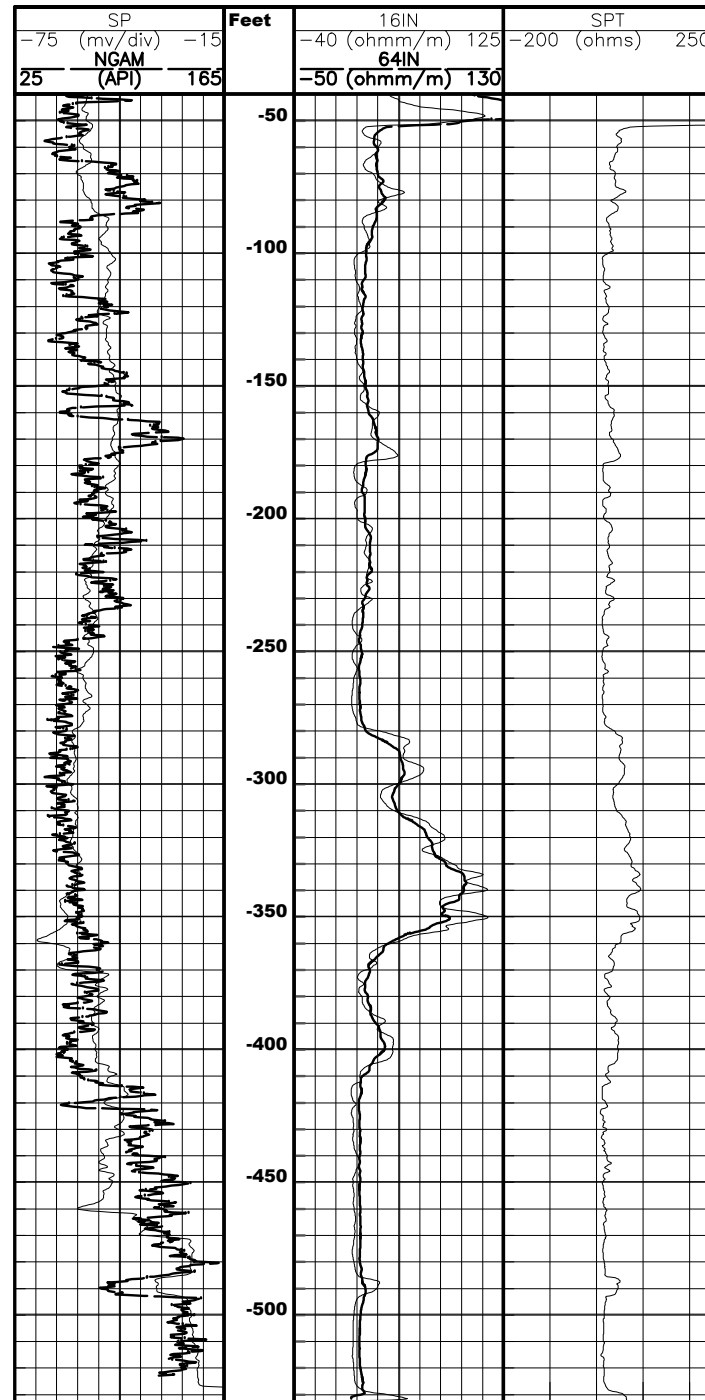
DATE: NOVEMBER 2022
JOB NO.: 20-007
DESIGN BY: ET
DRAWN BY: AC/TEMC
CHECKED BY: ED/CJ
FILE: Sheet 3.DWG

CAD FILE: \\SERVER-01\GIS\US ACAD Dropbox\Projects\City of Roseville\20-007 ASR Project\Sheet 3.dwg DATE: 11/10/2022 11:12 AM

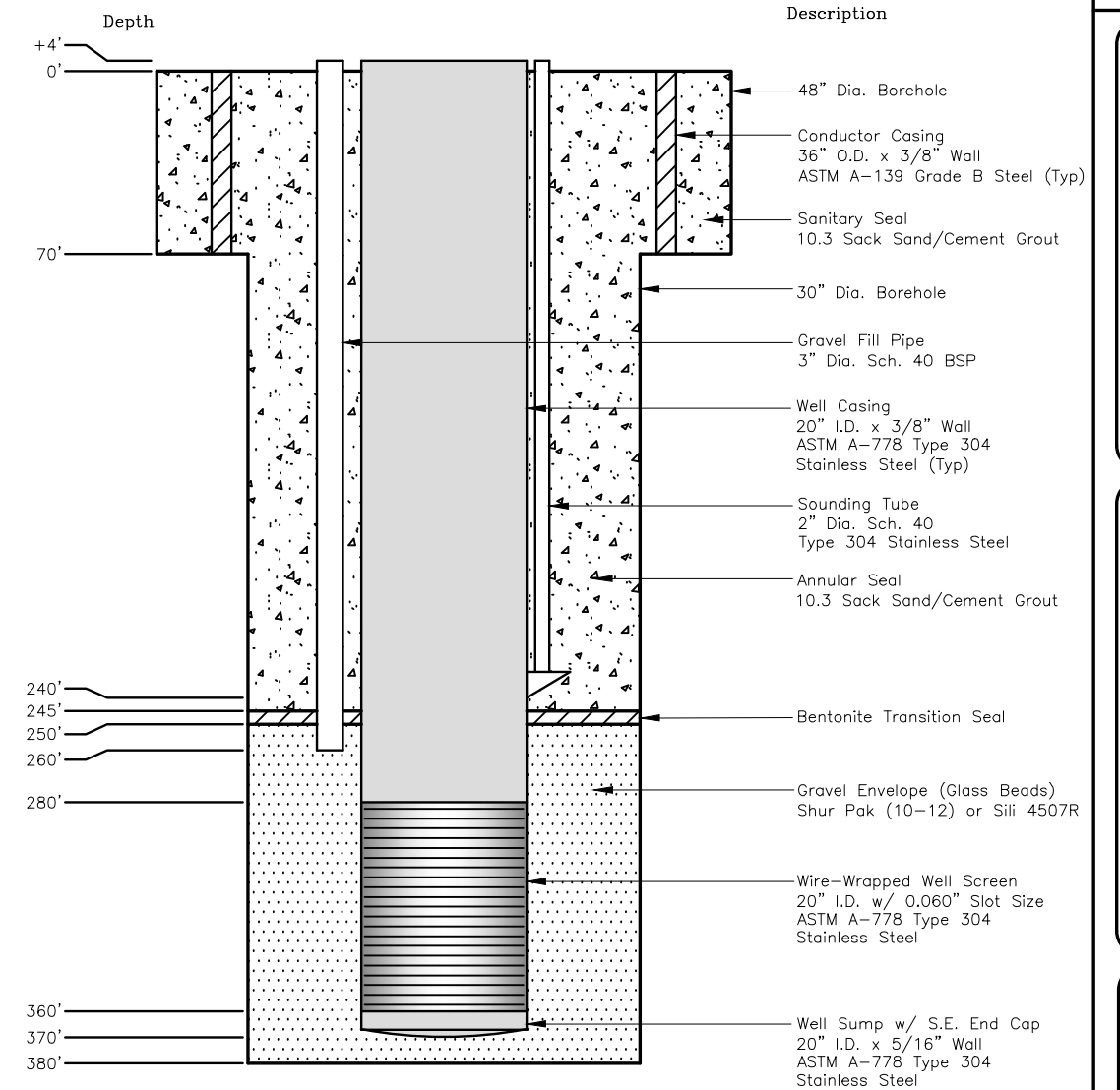
**CITY OF ROSEVILLE
CAMPUS OAKS ASR WELL 13
TEST HOLE LITHOLOGY**



**CITY OF ROSEVILLE
CAMPUS OAKS ASR WELL 13
TEST HOLE ELECTRICAL LOG**



**CITY OF ROSEVILLE
CAMPUS OAKS ASR WELL 13
WELL PROFILE**



CAMPUS OAKS WELL PROFILE
City of Roseville
ASR Well Drilling (Wells 13 & 19)
Placer County, California

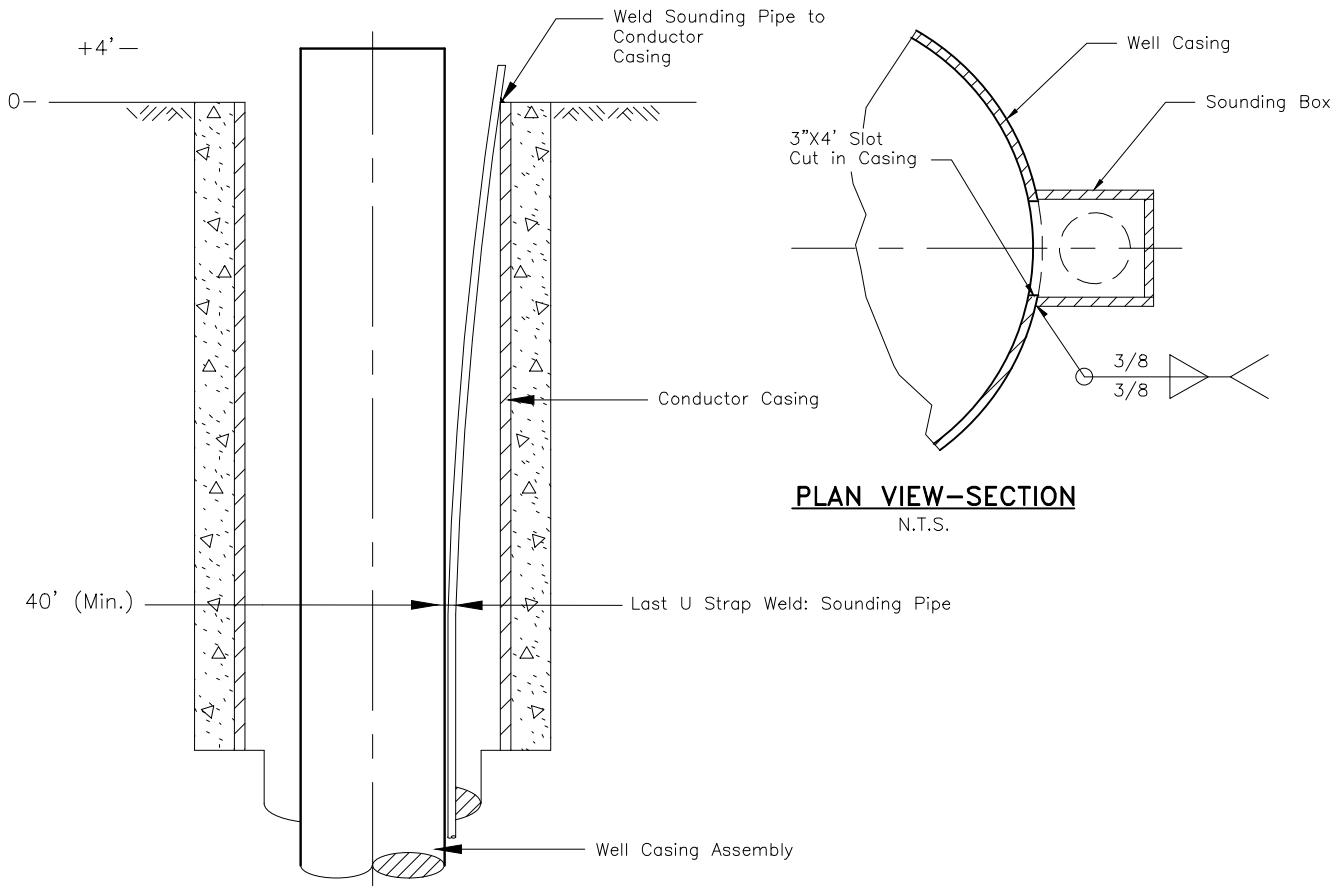


REVISIONS	
NO.	DATE

DATE: NOVEMBER 2022
JOB NO.: 20-007
DESIGN BY: ET
DRAWN BY: AC/TEMC
CHECKED BY: ED/CJ
FILE: Sheet 4.DWG

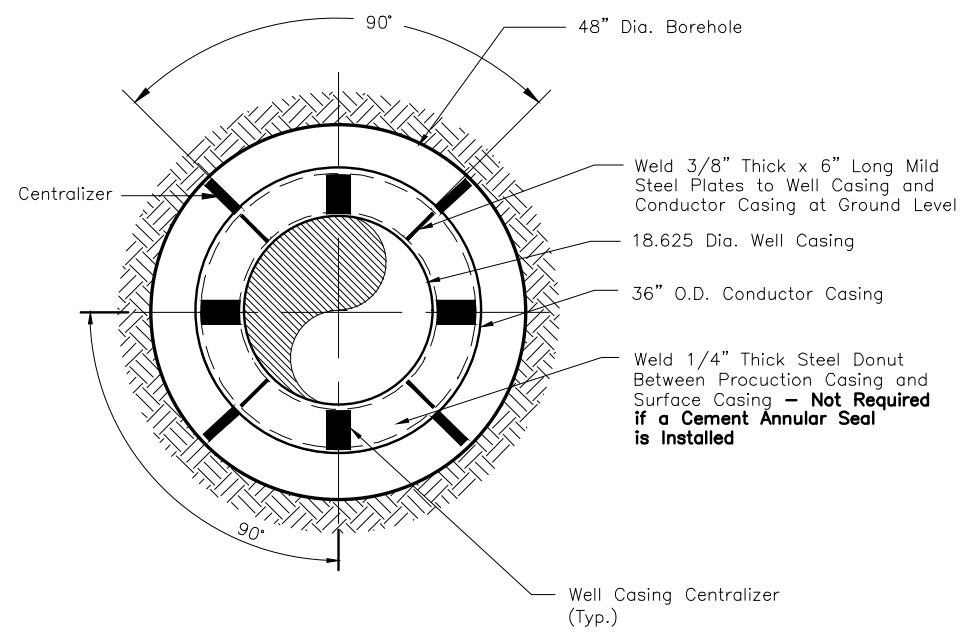
CAD FILE: \\SERVER-01\GIS\US ACAD Dropbox\Projects\City of Roseville\20-007 ASR Project\Sheet 4.dwg DATE: 6/15/2022 2:55 PM

CAD FILE: \\SERVER-01\GIS\US ACAD Dropbox\Projects\City of Roseville\20-007 ASR Project\Sheet 5.dwg DATE: 6/15/2022 2:55 PM



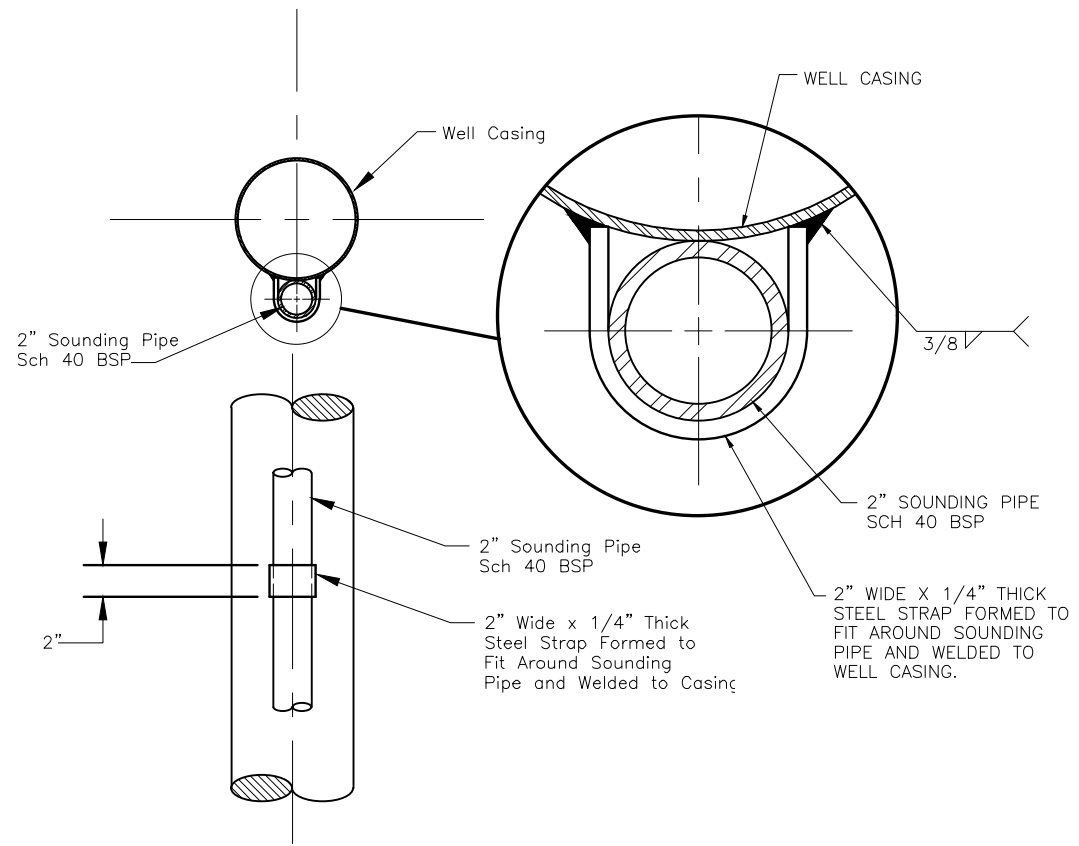
PLAN VIEW-SECTION
N.T.S.

CASING STICK-UP & ACCESSORY PIPE INSTALLATION
N.T.S.

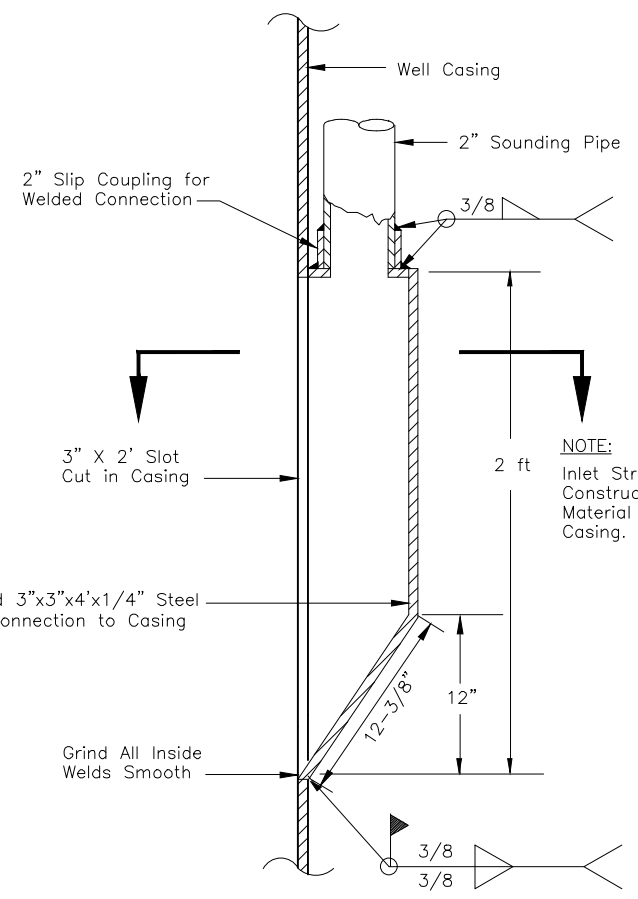


Weld 3/8" Thick x 6" Long Mild Steel Plates to Well Casing and Conductor Casing at Ground Level
18.625 Dia. Well Casing
36" O.D. Conductor Casing
Weld 1/4" Thick Steel Donut Between Production Casing and Surface Casing - **Not Required if a Cement Annular Seal is Installed**

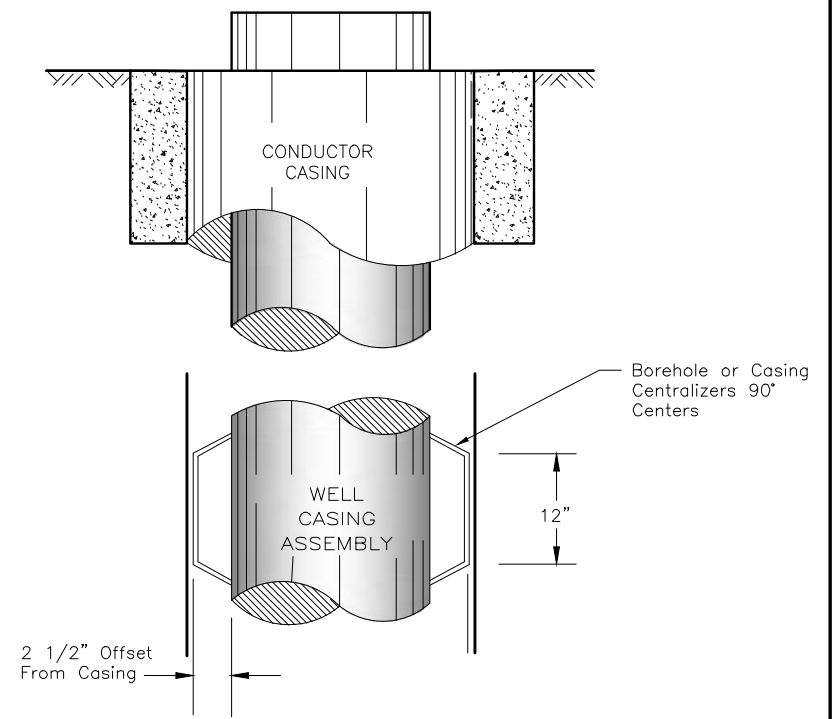
Well Casing Centralizer (Typ.)



"U" STRAP DETAIL
N.T.S.



2" SOUNDING PIPE INLET STRUCTURE
N.T.S.



CENTRALIZER INSTALLATION
N.T.S.

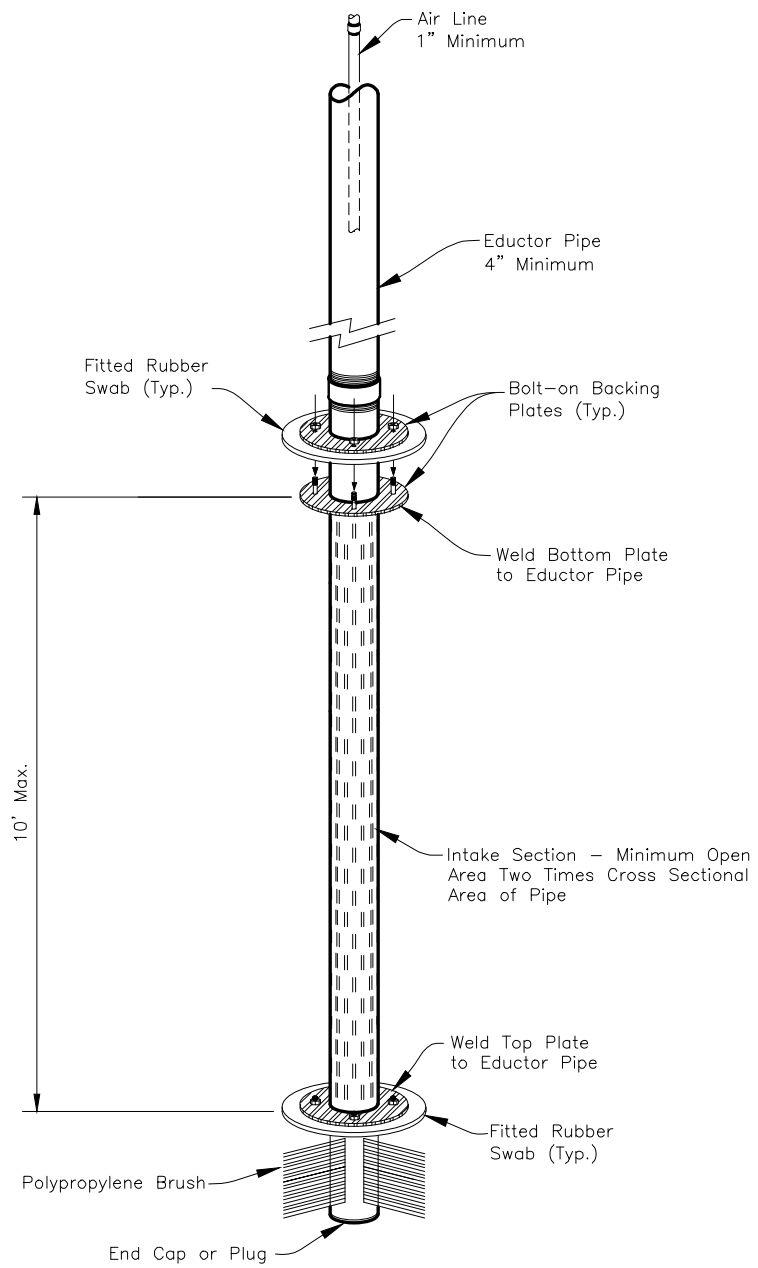
STANDARD CONSTRUCTION DETAILS I
City of Roseville
ASR Well Drilling (Wells 13 & 19)
Placer County, California



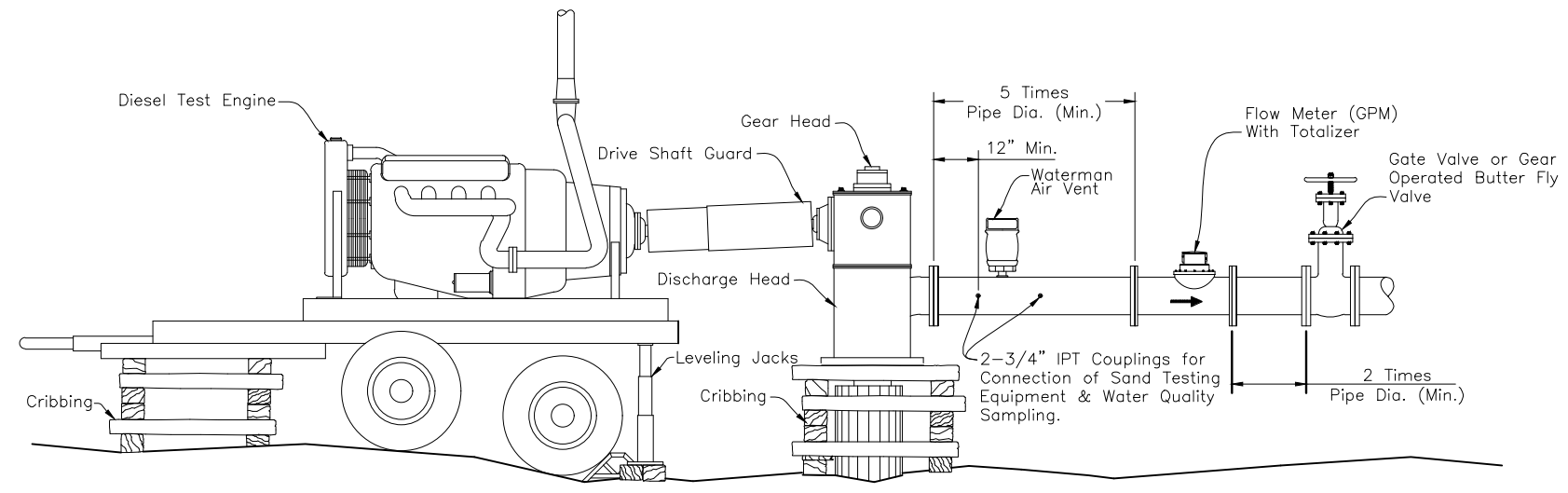
NO.	DATE	REVISIONS

DATE: NOVEMBER 2022
JOB NO.: 20-007
DESIGN BY: ASL
DRAWN BY: AC/TEMC
CHECKED BY: ET
FILE: Sheet 5.DWG

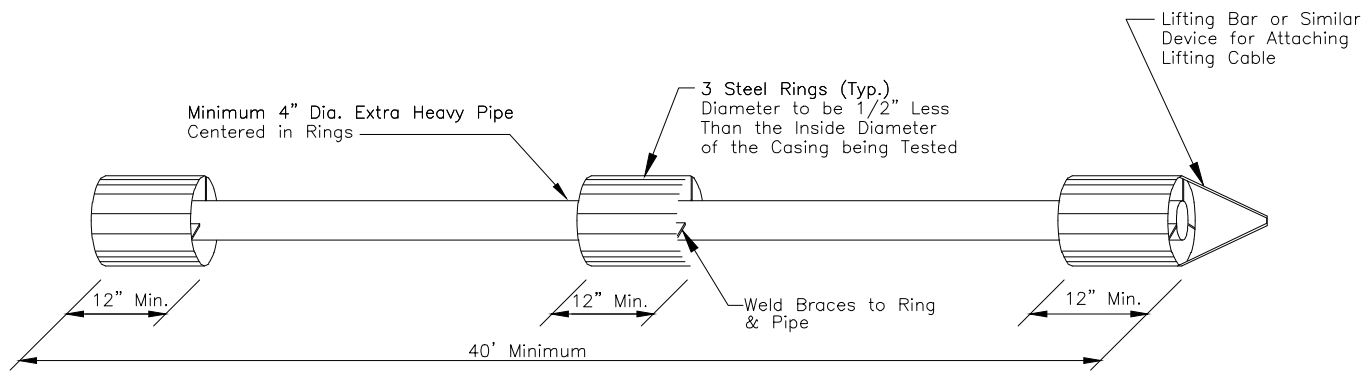
CAD FILE: \\SERVER-01\GIS\US ACAD Dropbox\Projects\City of Roseville\20-007 ASR Project\Sheet 6.dwg DATE: 3/17/2021 8:55 PM



WELL DEVELOPMENT TOOL
N.T.S.



WELL TEST PUMP AND DISCHARGE ASSEMBLY
N.T.S.



ALIGNMENT TESTING TOOL
N.T.S.

STANDARD CONSTRUCTION DETAILS II
City of Roseville
ASR Well Drilling (Wells 13 & 19)
Placer County, California



REVISIONS	
NO.	DATE

DATE: NOVEMBER 2022
JOB NO.: 20-007
DESIGN BY: ASL
DRAWN BY: AC/TEMC
CHECKED BY: ET
FILE: Sheet 6.DWG

SHEET:
6